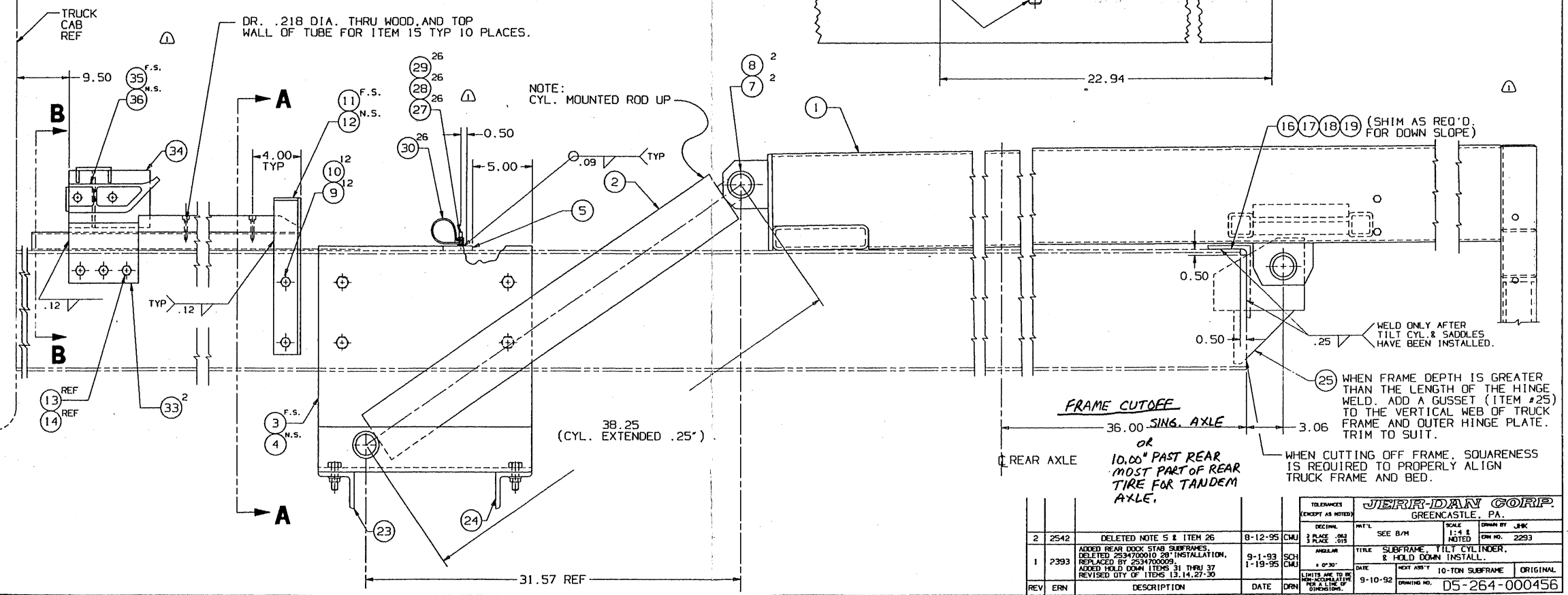
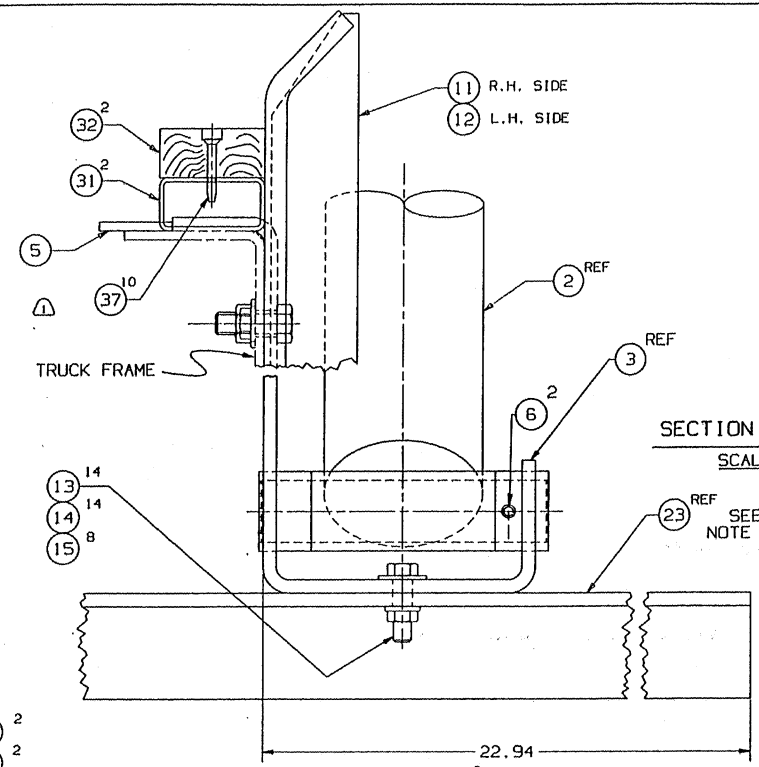
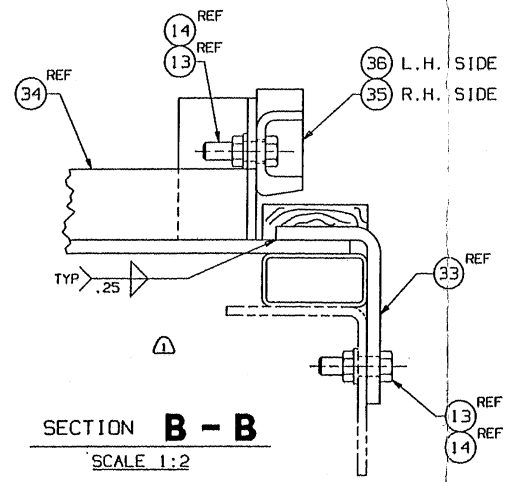


NOTES:

- ITEMS #3 & #4 SHOULD BE LOCATED BY EXTENDING THE TILT CYLINDER .188 MIN. - .25 MAX.
- USE ITEMS #3, #4, #11 & #12 AS TEMPLATES AND DRILL .640 DIA. HOLES THRU TRUCK FRAME. CAUTION: WHEN DRILLING BE CAREFUL NOT TO DRILL INTO THE WIRING, BRAKE LINES, FUEL LINES OR TANKS WHEN THE DRILL BREAKS THROUGH THE INSIDE OF THE FRAME.
- TORQUE ITEMS #9 TO 140 FT. LBS.
- MOUNT ITEMS #23 & #24 WITH (2) HOLES UP ON THE DRIVER'S SIDE OF THE TRUCK.

GENERAL NOTES
DO NOT SCALE DRAWING
BREAK SHARP CORNERS

SUBFRAME FOR IRL WHEEL LIFT	
PART NO.	DESCRIPTION
2-534-700008	SUBFRAME, TILT CYL. & HOLD DOWN INSTL - 20" & 22" DECKS
2-534-700009	SUBFRAME, TILT CYL. & HOLD DOWN INSTL - 24" & 26" & 28" DECKS
SUBFRAME WITH REAR DOCK STAB.	
PART NO.	DESCRIPTION
2-534-700017	SUBFRAME, TILT CYL. & HOLD DOWN INSTL - 20" & 22" DECKS
2-534-700018	SUBFRAME, TILT CYL. & HOLD DOWN INSTL - 24" & 26" & 28" DECKS



REV	ERN	DESCRIPTION	DATE	DRN
2	2542	DELETED NOTE 5 & ITEM 26	8-12-95	CMJ
1	2393	ADDED REAR DOCK STAB SUBFRAMES. DELETED 2534700010 29" INSTALLATION, REPLACED BY 2534700009. ADDED HOLD DOWN ITEMS 31 THRU 37 REVISED QTY OF ITEMS 13, 14, 27-30	9-1-93 1-19-95	SCH CMJ

TOLERANCES (EXCEPT AS NOTED)		SCALE		DRAWN BY	
SIZE	PLACES	SCALE	FORM NO.	DATE	NO.
1/16"	3	1:4	2293	CMJ	2293

JERIN-DAN CORP. GREENCASTLE, PA.	
TITLE	DATE
SUBFRAME, TILT CYLINDER, & HOLD DOWN INSTALL.	9-10-92
DRAWING NO.	05-264-000456