

\$7.50

SUPER SERIES

**OPERATIONS, MAINTENANCE,
AND PARTS MANUAL**

JERR-DAN

An Oshkosh Truck Corporation Company

1080 Hykes Road
Greencastle, PA 17225

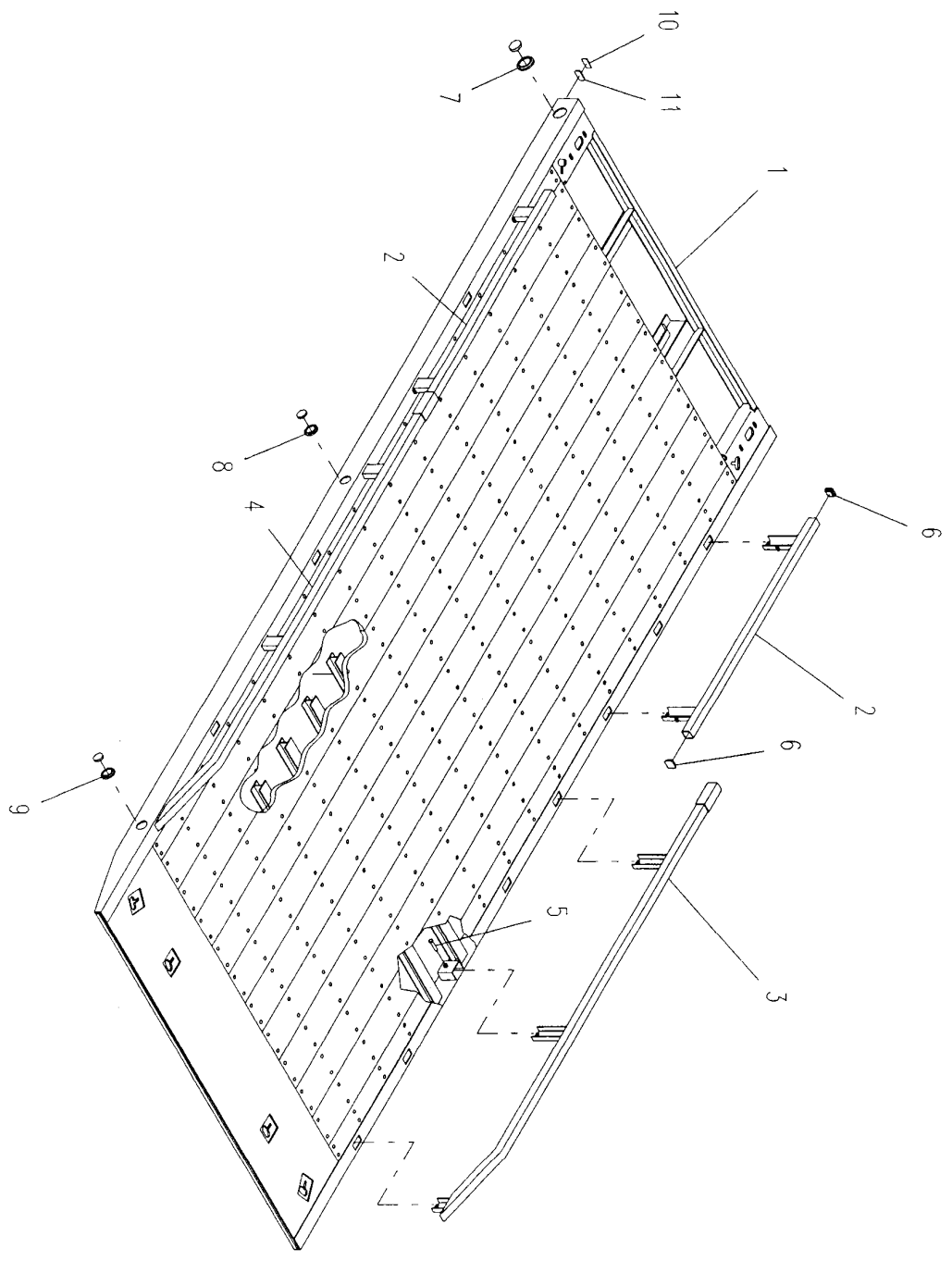
Phone (717) 597-7111

www.jerr-dan.com

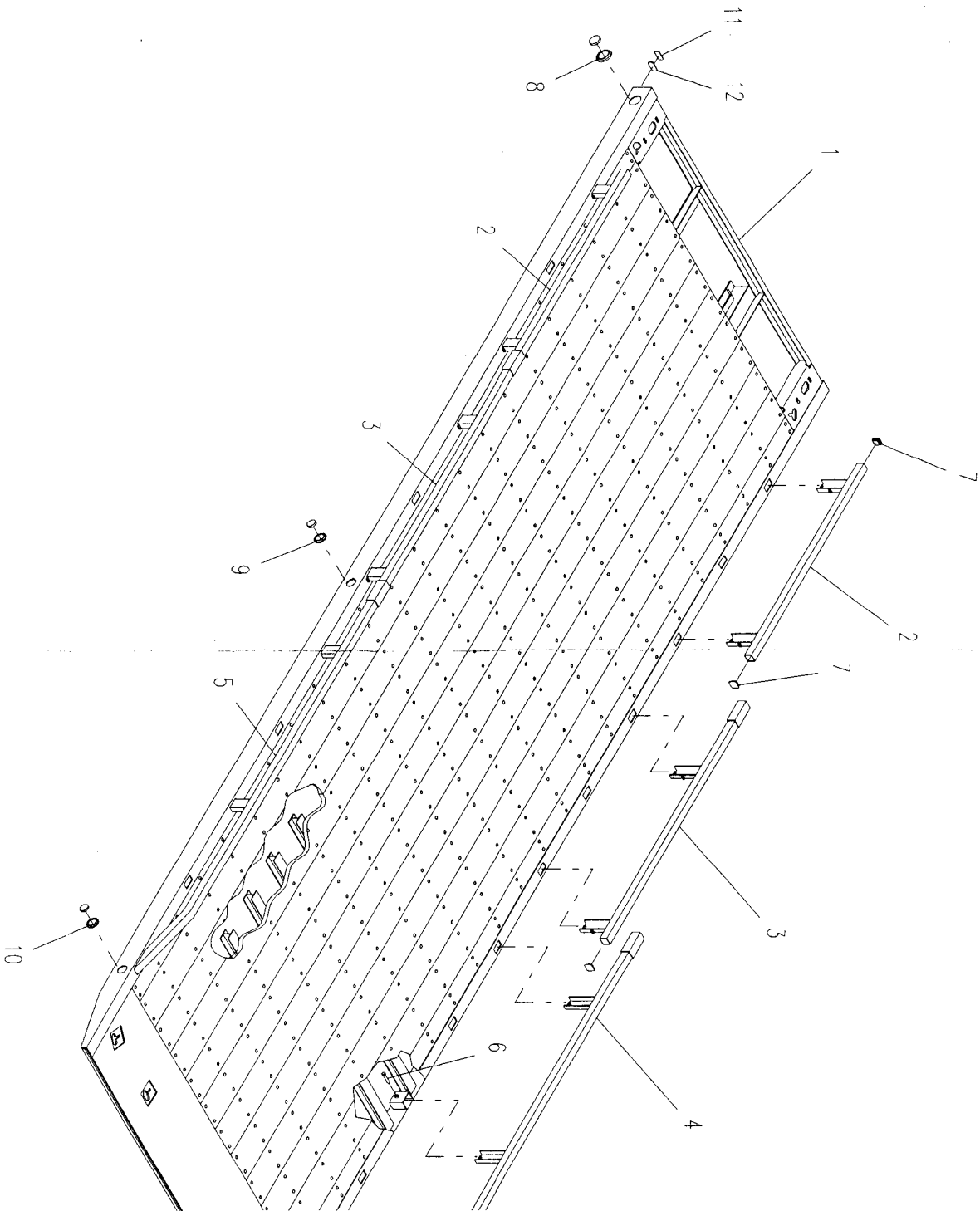
PARTS LIST — 24' SUPER WOOD DECK

Ref. No.	Part No.	Description	Qty.
1	3097000306	Deck 10 Ton 12" X-member Spacing, 95" Wide	1
	3097000303	Deck 10 Ton 8" X-member Spacing, 95" Wide	
	3097000315	Deck 10 Ton 12" X-member Spacing, 102" Wide	
	3097000312	Deck 10 Ton 8" X-member Spacing, 102" Wide	
	3097000299	Deck 15 Ton 8" X-member Spacing, 95" Wide	
	3097000309	Deck 15 Ton 8" X-member Spacing, 102" Wide	
2	3729000126	Rail - Front (24' Deck)	2
3	3729000130	Rail - Right Rear (24' Deck)	1
4	3729000129	Rail - Left Rear (24' Deck)	1
5	7120000005	Capscrew (24' Deck)	12
6	7701000033	End Cap	4
7	7590000010	Marker Light / Grommet	2
8	7590000045	Marker Light / Grommet	2
9	7590000079	Marker Light / Grommet	2
10	7590000090	Marker Light	2
11	7493000010	Grommet	2

24 JPER WOODDECK



26' SUPER WOOD DECK



PARTS LIST — 26' SUPER WOOD DECK

Ref. No.	Part No.	Description	Qty.
1	3097000305	Deck 10 Ton	1
	3097000302	12" X-member Spacing, 95" Wide Deck 10 Ton	
	3097000314	8" X-member Spacing, 95" Wide Deck 10 Ton	
	3097000311	12" X-member Spacing, 102" Wide Deck 10 Ton	
	3097000298	8" X-member Spacing, 102" Wide Deck 15 Ton	
	3097000308	8" X-member Spacing, 95" Wide Deck 15 Ton	
		8" X-member Spacing, 102" Wide	
2	3729000121	Rail - Front (26' Deck)	2
3	3729000116	Rail - Mid (26' Deck)	2
4	3729000128	Rail - Right Rear (26' Deck)	1
5	3729000127	Rail-Left Rear (26' Deck)	1
6	7120000005	Capscrew (26' Deck)	14
7	7701000033	End Cap	6
8	7590000010	Marker Light / Grommet	2
9	7590000045	Marker Light / Grommet	2
10	7590000079	Marker Light / Grommet	2
11	7590000090	Marker Light	2
12	7493000010	Grommet	2

JERR-DAN

An Oshkosh Truck Corporation Company

4.5

Rev. _____

Date _____

PARTS LIST — 28' SUPERWOOD DECK

Ref. No.	Part No.	Description	Qty.
1	3097000304	Deck 10 Ton 12" X-member Spacing, 95" Wide	1
	3097000301	Deck 10 Ton 8" X-member Spacing, 95" Wide	
	3097000313	Deck 10 Ton 12" X-member Spacing, 102" Wide	
	3097000310	Deck 10 Ton 8" X-member Spacing, 102" Wide	
	3097000300	Deck 15 Ton 8" X-member Spacing, 95" Wide	
	3097000307	Deck 15 Ton 8" X-member Spacing, 102" Wide	
2	3729000121	Rail - Front (28' Deck)	2
3	3729000116	Rail - Mid (28' Deck)	2
4	3729000130	Rail - Right Rear (28' Deck)	1
5	3729000129	Rail-Left Rear (28' Deck)	1
6	7120000005	Capscrew (26' Deck)	14
7	7701000033	End Cap	6
8	7590000010	Marker Light / Grommet	2
9	7590000045	Marker Light / Grommet	2
10	7590000079	Marker Light / Grommet	2
11	7590000090	Marker Light	2
12	7493000010	Grommet	2

JERR-DAN

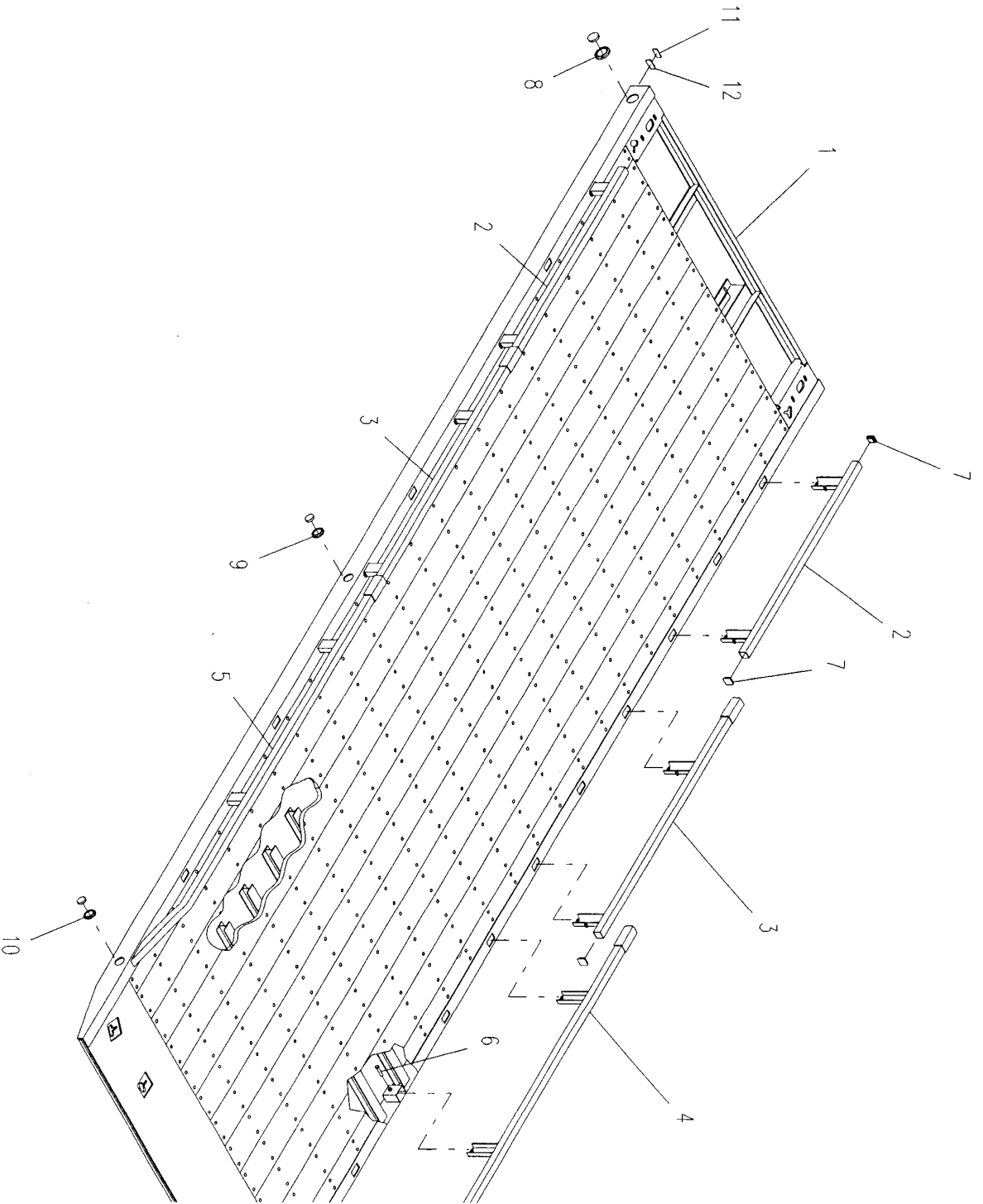
An Oshkosh Truck Corporation Company

4.6

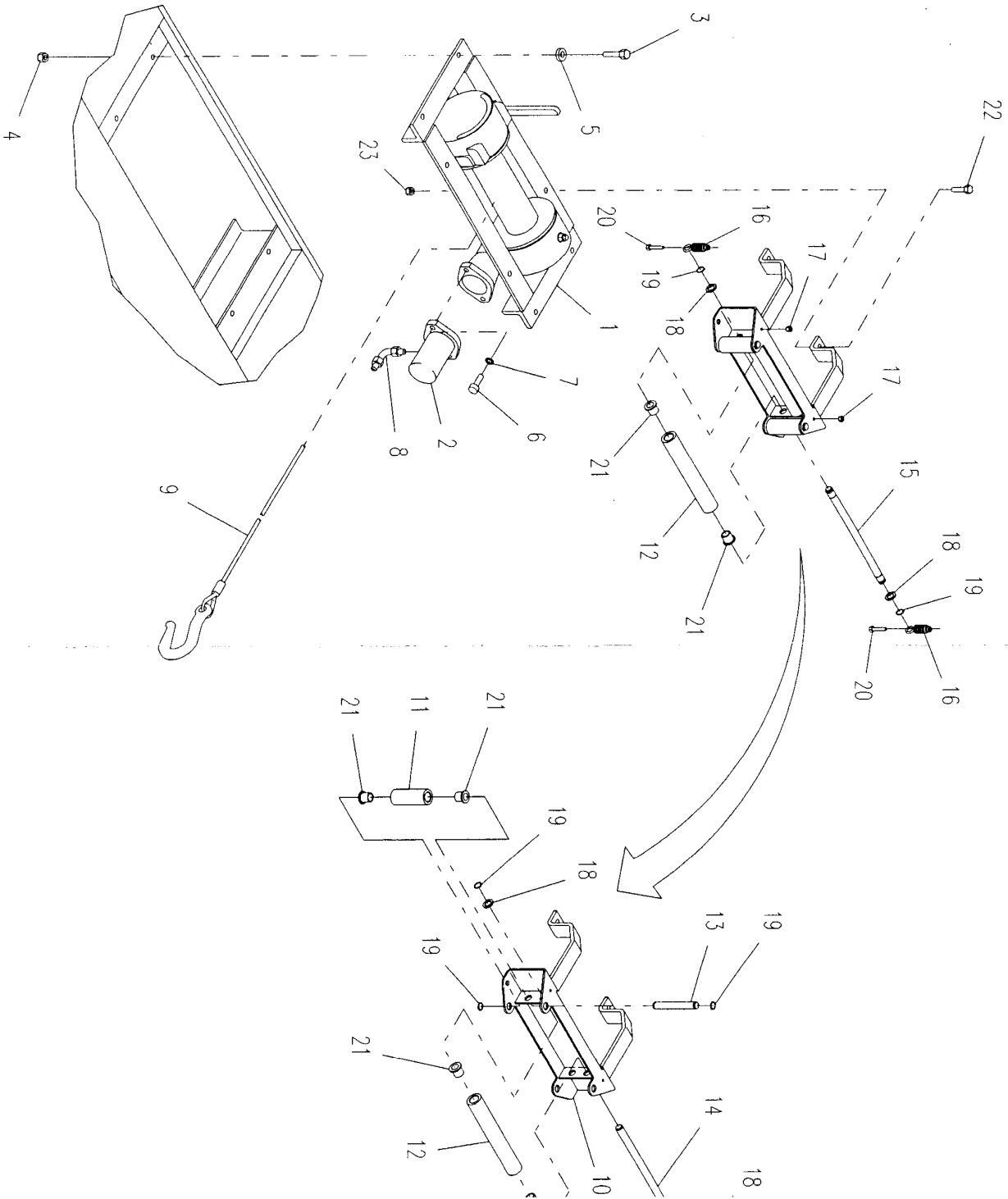
Rev. _____

Date _____

2. JPER WOOD DECK



12,000# WORM GEAR WINCH & CABLE ROLLER GUIDE



**PARTS LIST — 12,000# WORM GEAR WINCH & CABLE ROLLER
GUIDE**

Ref. No.	Part No.	Description	Qty.
1	7970000083	Winch - 12,000# Worm Gear	1
2	7626000018	Orbit Motor	1
3	7115181450	Capscrew	4
	7115181250*	Capscrew	4
4	7660182301	Locknut	4
5	7950180153	Flatwasher	4
6	7115181250	Capscrew	2
7	7950180400	Lockwasher	2
8	7445081045	Fitting	2
9	7248000066	Cable	1
10	3178000237 ¹	Bracket	1
11	4912000087 ¹	Roller Tube	2
12	4912000130 ¹	Roller Tube	2
13	4806000011 ¹	Roller Shaft	2
14	4806000014 ¹	Roller Shaft	1
15	4806000015 ¹	Roller Shaft	1
16	7843000007 ¹	Spring	2
17	7660141600 ¹	Locknut	2
18	7949000034 ¹	Spacer	4
19	7754000022 ¹	Retaining Ring	8
20	7111141407 ¹	Bolt	2
21	7209000011 ¹	Bushing	8
22	7115181250	Capscrew	4
23	7660182601	Locknut	4

* Available on Transporter Decks only

¹ Also Available in Assembly #3249000003

**PARTS LIST — 20,000# WORM GEAR WINCH & CABLE ROLLER
GUIDE**

Ref. No.	Part No.	Description	Qty.
1	7970000082	Winch - 20,000# Worm Gear	1
2	7626000011	Orbit Motor	1
3	7115181250	Capscrew	2
4	7950180400	Lockwasher	2
5	7445081045	Fitting	2
6	7248000067	Cable	1
7	3527000075	Roller Guide	1
8	7115201450	Capscrew	4
9	7950200000	Washer	4
10	4706001149	Plate	2

JERR-DAN

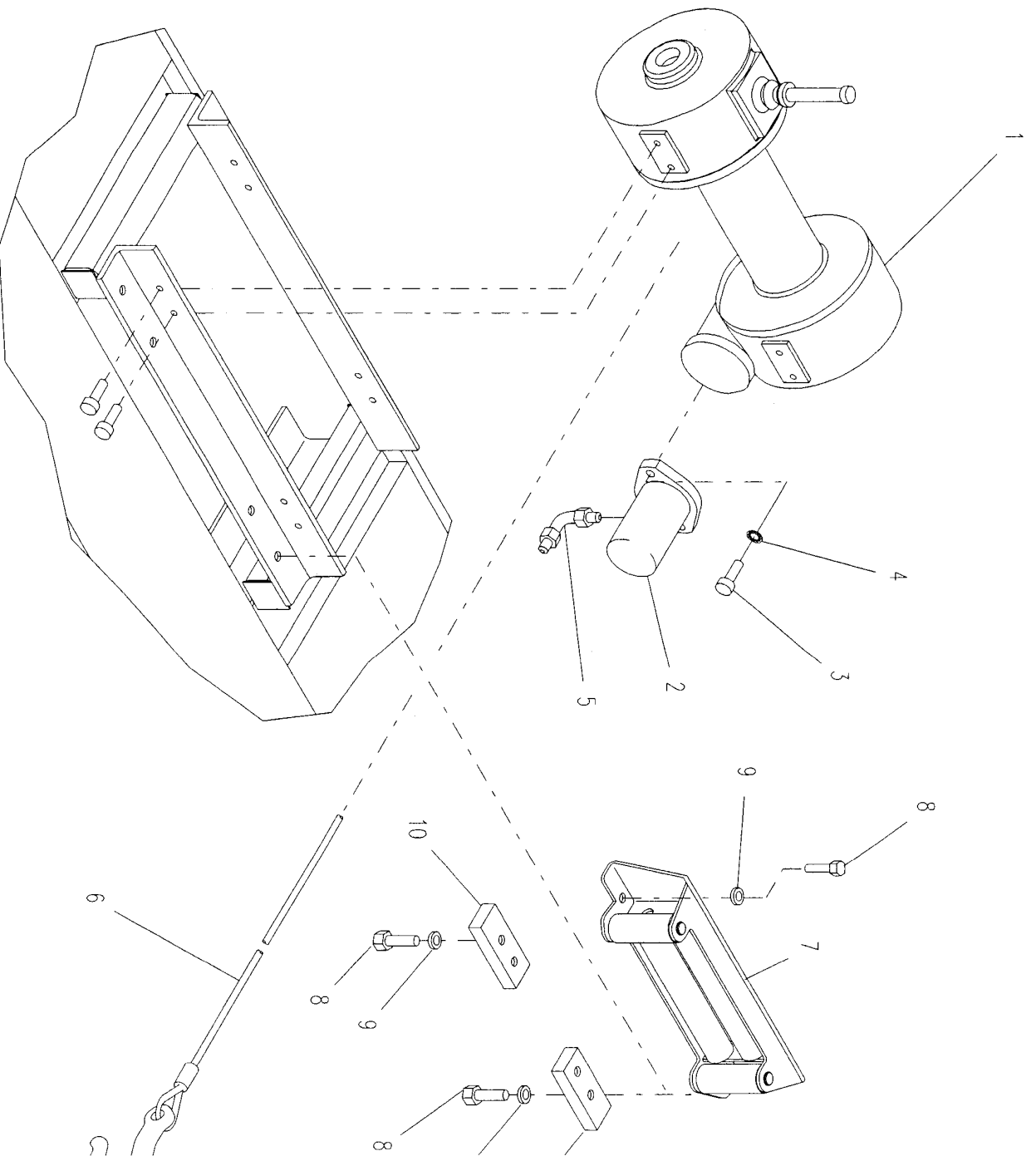
An Oshkosh Truck Corporation Company

4.10

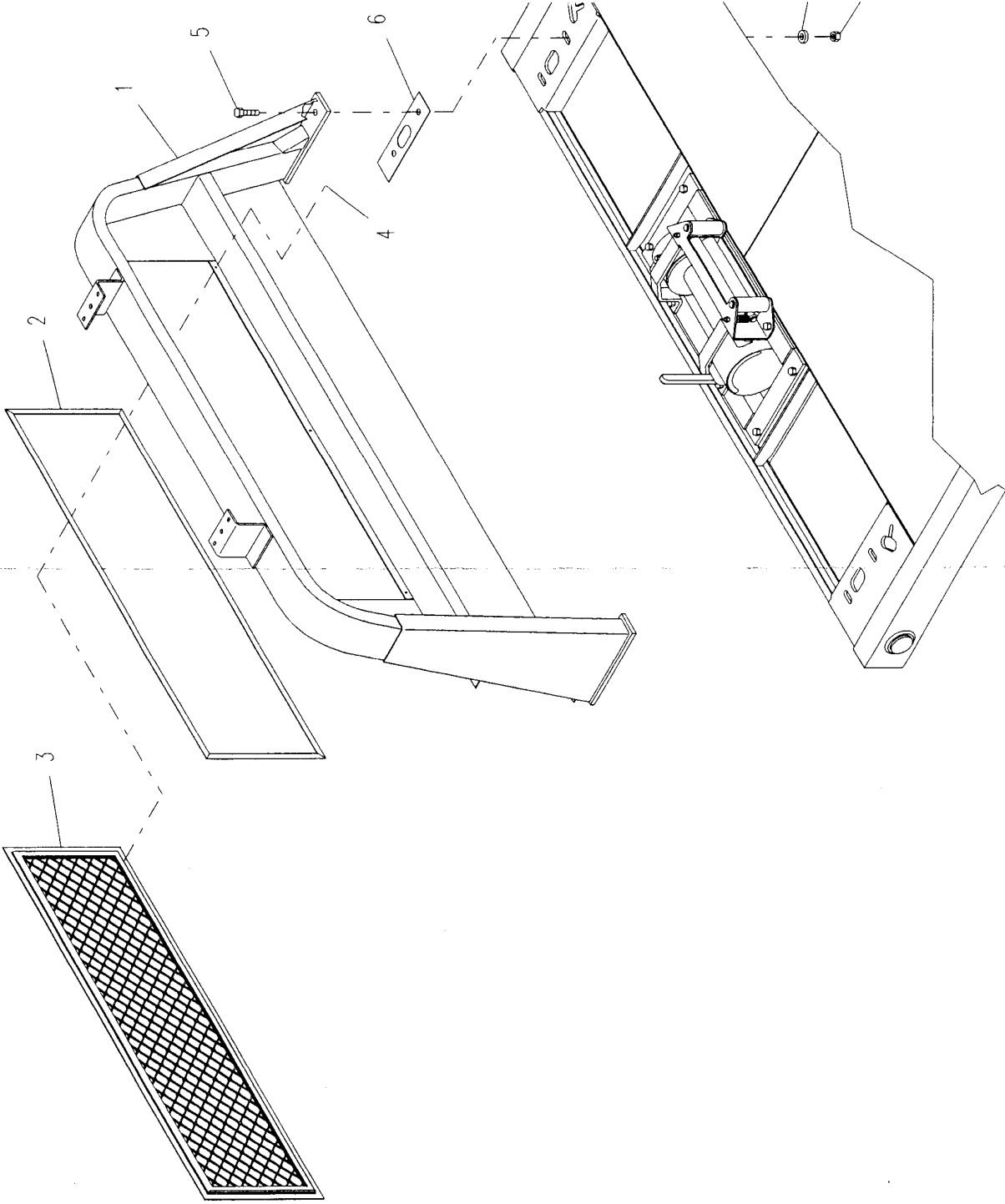
Rev. _____

Date _____

20,000# WORM G 1 WINCH & CABLE ROLLER GUIDE



DELUXE HEADBOARD



Rev. _____
Date _____

PARTS LIST — DELUXE HEADBOARD

Ref. No.	Part No.	Description	Qty.
1	3241000085	Deluxe Headboard (34.50")	1
	3241000086	Deluxe Headboard (40.50")	
	3241000087	Deluxe Headboard (45.50")	
	3241000088	Deluxe Headboard (52.50")	
	3241000113	Deluxe Headboard (57.50")	
2	4796000004	Gasket (34.50")	1
	4796000003	Gasket (40.50", 45.50", 52.50", 57.50")	
3	3391000013	Screen (34.50")	1
	3391000014	Screen (40.50 & 45.50")	
	3391000015	Screen (52.50")	
	3391000016	Screen (57.50")	
4	7759000013	Rivet	6
5	7105201650	Capscrew	4
6	4796000037	Gasket	2
7	7950200152	Flatwasher	4
8	7660200035	Nut	2

JERR-DAN

An Oshkosh Truck Corporation Company

4.13

Rev. _____

Date _____

PARTS LIST — FINAL ASSEMBLY

Ref. No.	Part No.	Description	Qty.
1	3905000005	Trunnion Weld	1
2	3868000203	Subframe Weld-(S10)	1
	3868000204	Subframe Weld-(S15)	1
3	4691000352	Pin	2
4	7690164040	Spring Pin	2
5	7118161023	Capscrew	16
6	4679000189	Pad	8
7	7660162601	Locknut	16
8	4679000151	Pad	1
9	7115181450	Capscrew	8
10	7950180141	Flat Washer	2
11	7660182301	Locknut	8
12	4263000472	Channel	1
13	4062000396	Bar	2
14	4090000002	Belt Cylinder Support	1
15	3020000098	Cylinder (24' & 26')	1
	3020000093	Cylinder (28')	1
16	3636000076	Bracket	2
17	7105181450	Capscrew	4
18	7660182333	Locknut Flanged	4
19	3177000050	Cable Carrier Support	1
20	7115150850	Capscrew	8
21	7660152601	Locknut	8
22	7638000004	Mudflap	2
23	4706000233	Backing Strip	2
24	7111150813	Screw	8
25	7950150000	Washer	8
26	7660150000	Nut	8
27	7904000001	Cable Carrier (24' & 26')	1
	7904000003	Cable Carrier (28')	
28	4706003038	Plate	1
29	7114101618	Screw	2
30	7660102604	Nut	2
31	7115151650	Capscrew	1
32	7950150161	Washer	1
33	7274000039	Clamp Cover	1
34	7274000038	Half Clamp	2
35	7660152601	Locknut	1
36	7590000193	3 Bar Light	1
37	7660142601	Screw	2

JERR-DAN

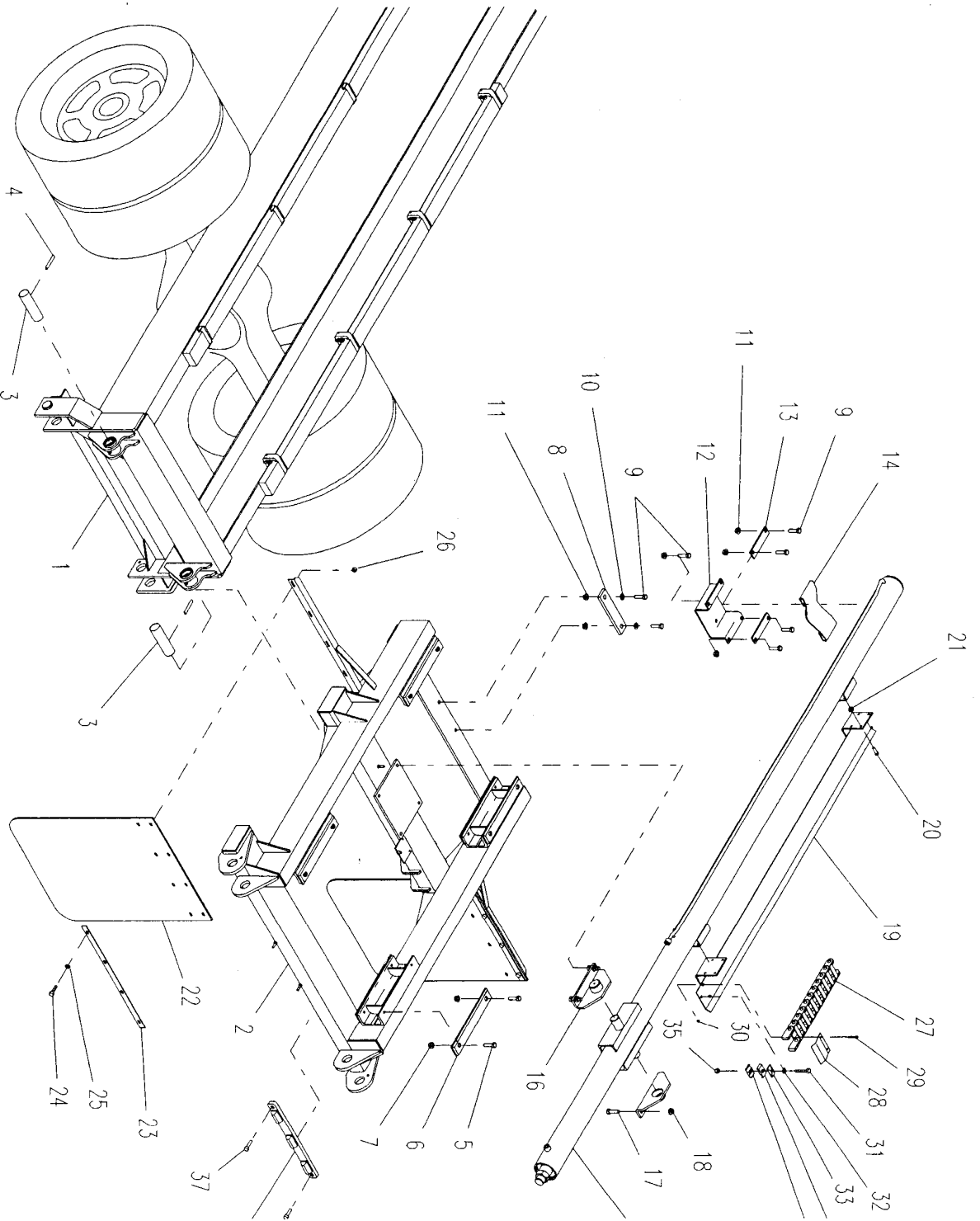
An Oshkosh Truck Corporation Company

4.14

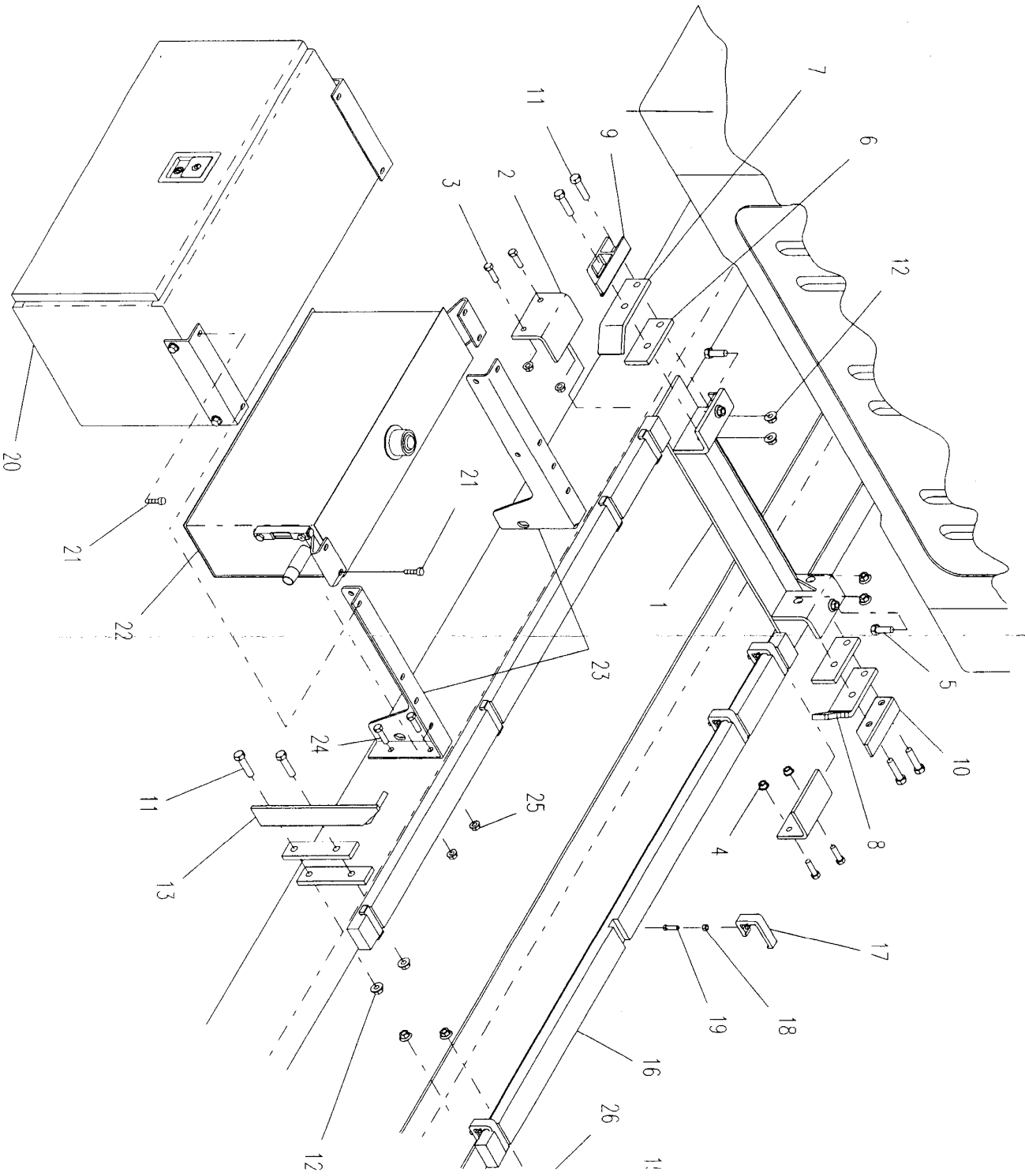
Rev. _____

Date _____

FINAL ASSEMBLY



FINAL ASSEMBLY



PARTS LIST — FINAL ASSEMBLY

Ref. No.	Part No.	Description	Qty.
1	3558000005	Holddown Weld	1
2	4017001098	Angle	2
3	7105181450	Capscrew	4
4	7660182333	Locknut Flanged	4
5	7105201250	Capscrew	2
6	4706003027	Plate-(S10 Only)	2
7	4706003025	Plate LH	1
8	4706003026	Plate RH	1
9	7259000015	Cast Shoe LH	1
10	7259000016	Cast Shoe RH	1
11	7105202050	Capscrew-(S10)	8
	7105202250	Capscrew-(S15)	8
12	7660202347	Locknut	8
13	3062000015	Body Guide LH	1
14	3062000014	Body Guide RH	1
15	4831000079	Spacer Plate	2
16	4679000195	Pad	4
17	7274000067	Cast Clamp	20
18	7660160000	Nut	20
19	7120000032	Screw	20
20	3899000051	36" Toolbox w/ SS Door	1
	3899000074	48" Toolbox w/ SS Door	
	3899000077	60" Toolbox w/ SS Door	
	3899000053	Storage Basket	
21	7790161253	Screw	8
22	3705000018	Oil Reservoir	1
23	4178000290	Bracket	1
	4178000291	Bracket	1
24	7118181216	Capscrew	4
25	7660182301	Locknut Flanged	4
26	4831000083	Spacer	2
27	4831000080	Spacer	2

JERR-DAN

An Oshkosh Truck Corporation Company

4.17

Rev. _____

Date _____

PARTS LIST — FINAL ASSEMBLY - REAR DOCK STABILIZER

Ref. No.	Part No.	Description	Qty.
1	3020000073	Arm Weld	1
2	3320000096	Cylinder Assy- (S10)	2
	3320000095	Cylinder Assy- (S15)	2
3	3691000185	Pin Weld	2
4	3691000186	Pin Weld	2
5	3691000187	Pin Weld	2
6	7115161050	Capscrew	6
7	7660162301	Locknut	6
8	3178000233	Lightbox L.H.	1
9	3178000234	Lightbox R.H.	1
10	4314000043	Lightbox Cover	2
11	7111140513	Screw	8
12	7661000019	U-Nut	8
13	7590000009	Red Marker Light	4
14	7590000002	Stop/Turn/Tail	2
15	7590000003	Back Up Light	2
16	7590000103	License Plate Light	1
17	7493000010	Grommet	1

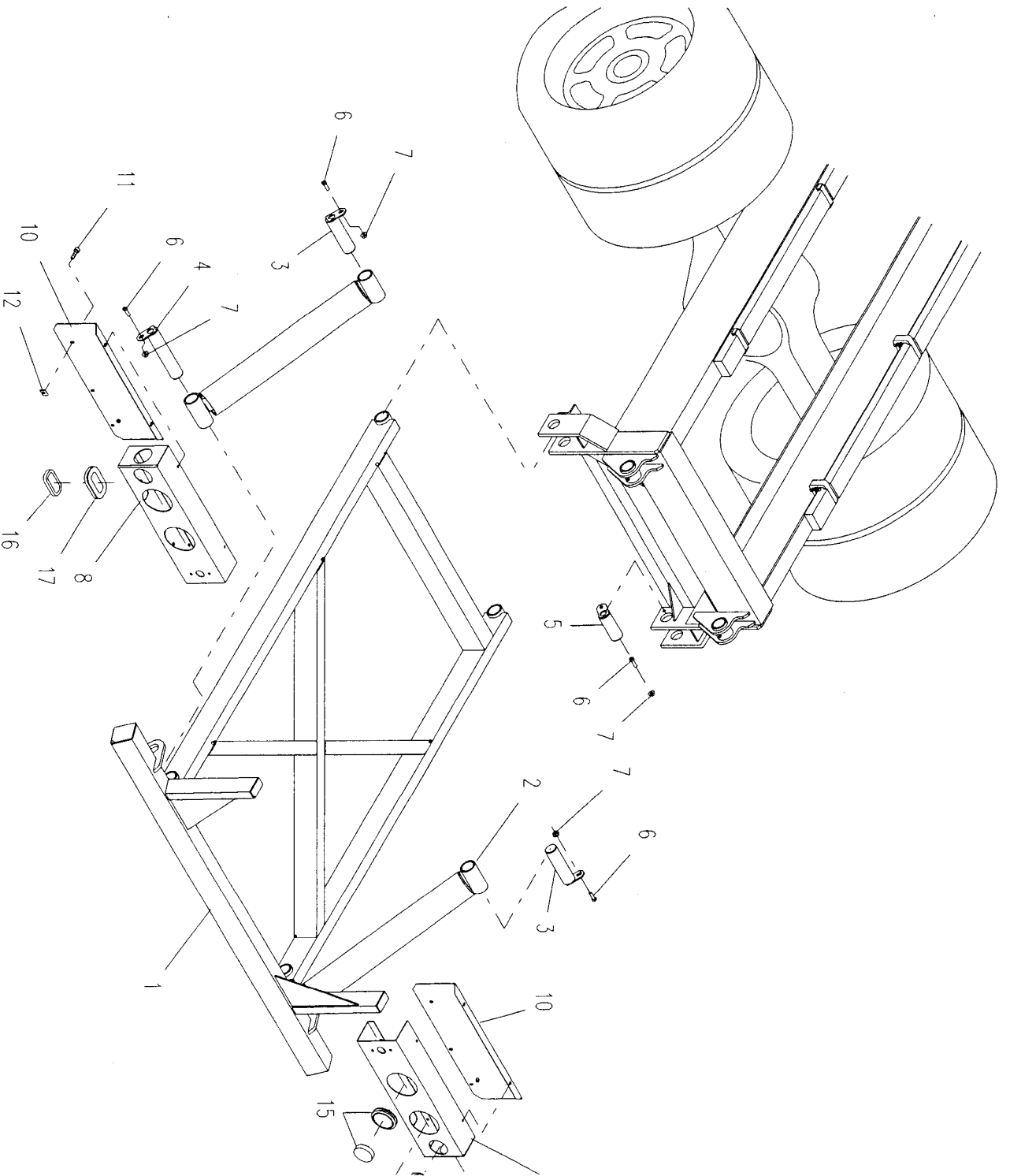
JERR-DAN

An Oshkosh Truck Corporation Company

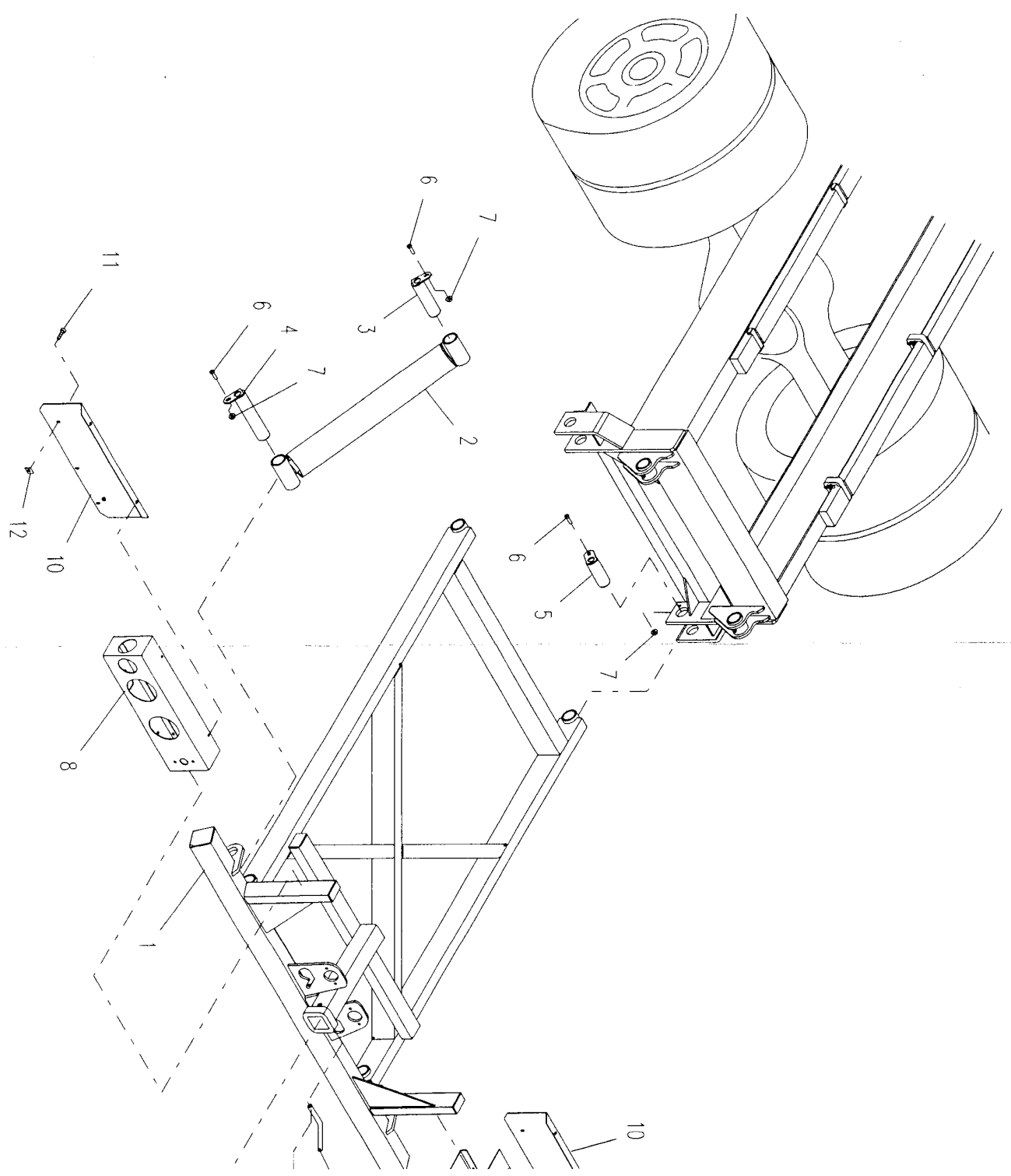
4.18

Rev. _____
Date _____

FINAL ASSEMBLY - REAR DOCK STABILIZER



FINAL ASSEMBLY - REAR DOCK STABILIZER W/ REESE HITCH



**PARTS LIST — FINAL ASSEMBLY - REAR DOCK STABILIZERW/
REESE HITCH**

Ref. No.	Part No.	Description	Qty.
1	3020000088	Arm Weld	1
2	3320000101	Cylinder Assy-(S10)	2
	3320000100	Cylinder Assy-(S15)	2
3	3691000185	Pin Weld	2
4	3691000186	Pin Weld	2
5	3691000187	Pin Weld	2
6	7115161050	Capscrew	6
7	7660162301	Locknut	6
8	3178000233	Lightbox L.H.	1
9	3178000234	Lightbox R.H.	1
10	4314000043	Lightbox Cover	2
11	7111140513	Screw	8
12	7661000019	U-Nut	8
13	7913000006	Reese Tube Reducer	1
14	7691000033	Pin Pull w/ Cotter	1

JERR-DAN

An Oshkosh Truck Corporation Company

4.21

Rev. _____

Date _____

PARTS LIST — FINAL ASSEMBLY -

REAR DOCK STABILIZER W/ STATIONARY PINTLE PROVISION

Ref. No.	Part No.	Description	Qty.
1	3020000086	Arm Weld	1
2	3320000101	Cylinder Assy-(S10)	2
	3320000100	Cylinder Assy-(S15)	2
3	3691000185	Pin Weld	2
4	3691000186	Pin Weld	2
5	3691000187	Pin Weld	2
6	7115161050	Capscrew	6
7	7660162301	Locknut	6
8	3178000233	Lightbox L.H.	1
9	3178000234	Lightbox R.H.	1
10	4314000043	Lightbox Cover	2
11	7111140513	Screw	8
12	7661000019	U-Nut	8

JERR-DAN

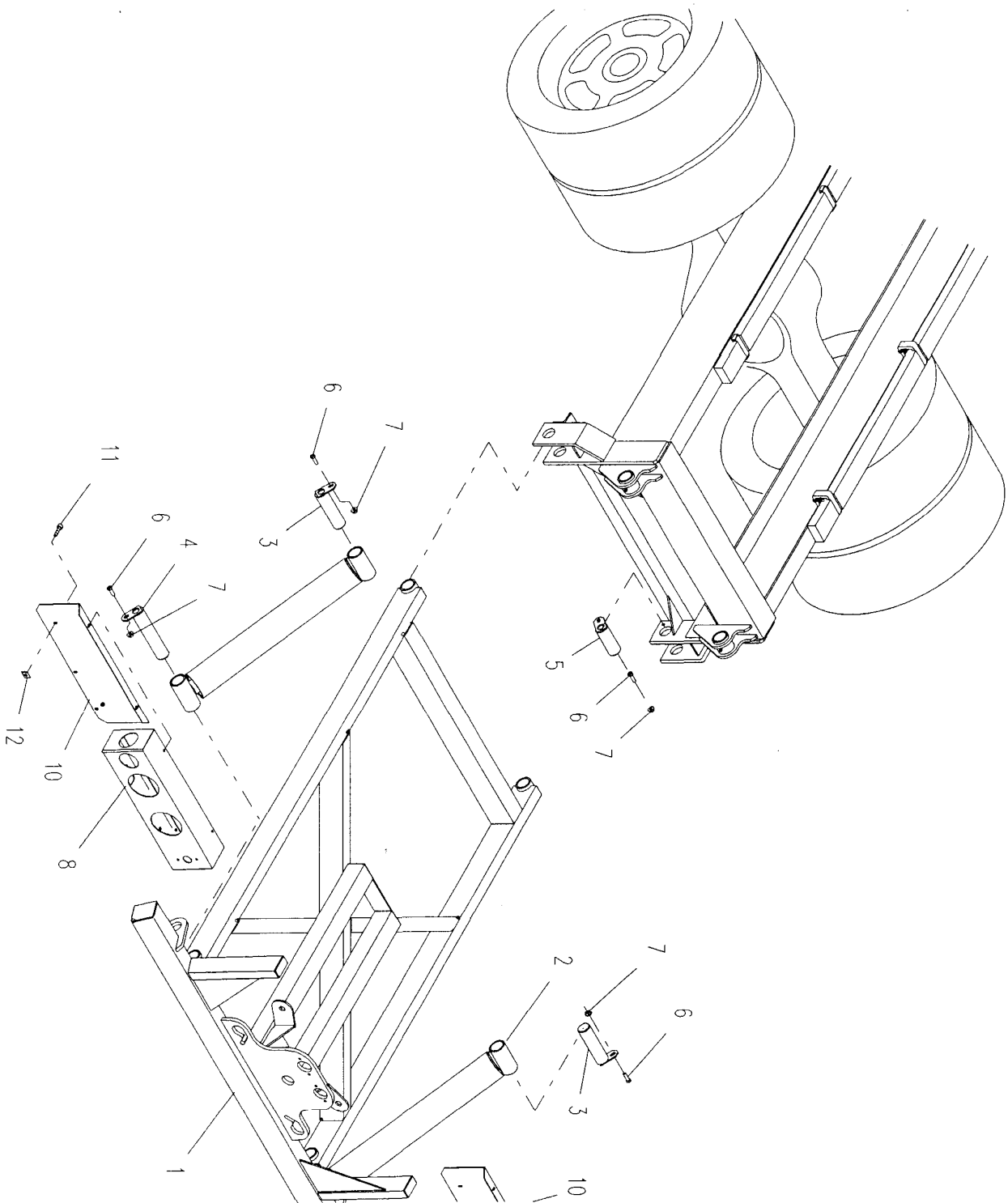
An Oshkosh Truck Corporation Company

4.22

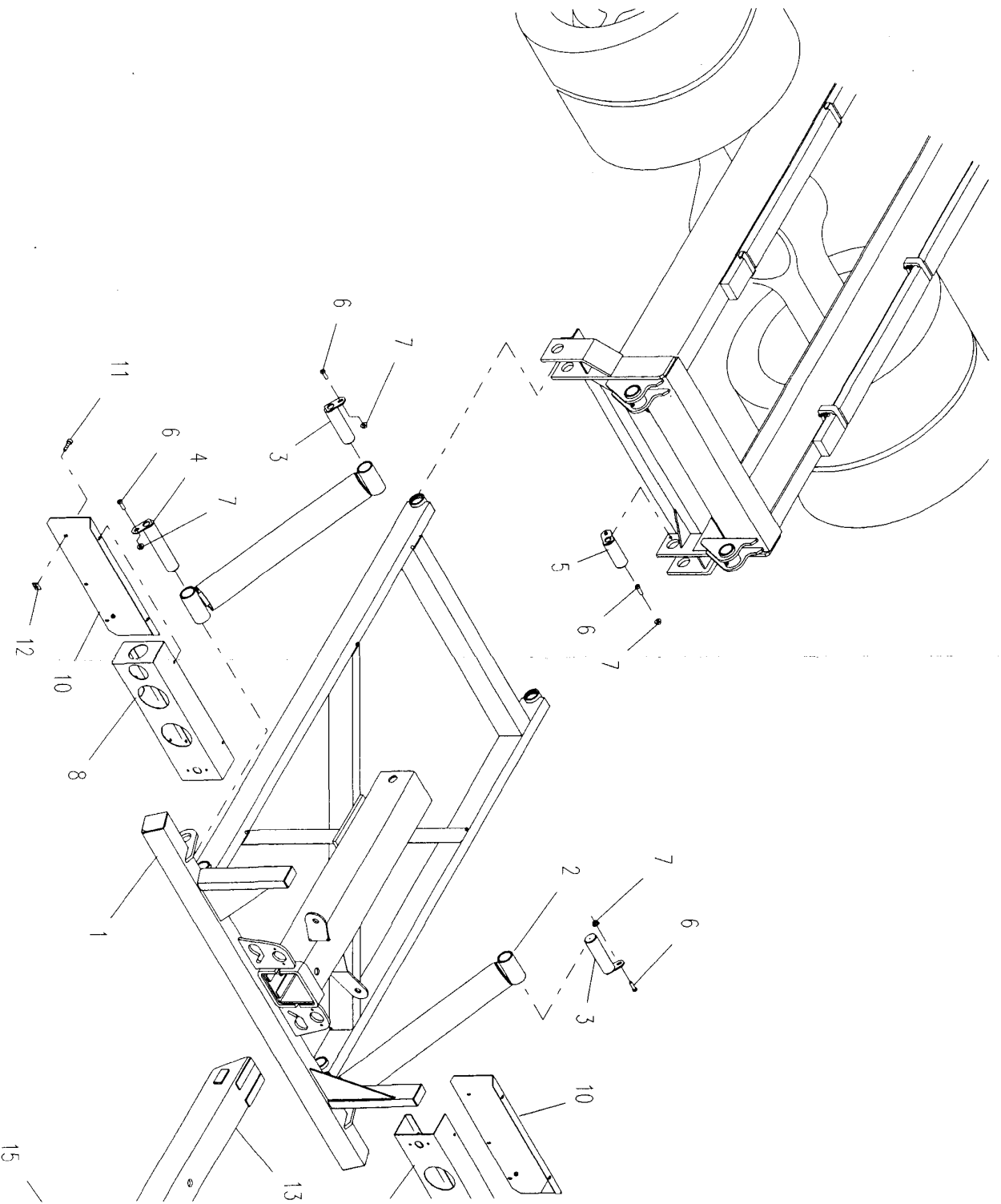
Rev. _____

Date _____

FINAL ASSEMBLY - REAR DOCK 31LIZER W/ STATIONARY PINTLE HITCH PROVISION



FINAL ASSEMBLY - REAR DOCK STABILIZER/ MANUAL ADJUSTABLE PINTLE HITCH PROVISION



PARTS LIST — FINAL ASSEMBLY -
REAR DOCK STABILIZER W/ MANUAL ADJUSTABLE
PINTLE PROVISION

Ref. No.	Part No.	Description	Qty.
1	3020000087	Arm Weld	1
2	3320000101	Cylinder Assy-(S10)	2
	3320000100	Cylinder Assy-(S15)	2
3	3691000185	Pin Weld	2
4	3691000186	Pin Weld	2
5	3691000187	Pin Weld	2
6	7115161050	Capscrew	6
7	7660162301	Locknut	6
8	3178000233	Lightbox L.H.	1
9	3178000234	Lightbox R.H.	1
10	4314000043	Lightbox Cover	2
11	7111140513	Screw	8
12	7661000019	U-Nut	8
13	3170000203	Inner Boom Weld	1
14	3691000064	Pin Weld	1
15	7691000001	Hair Pin	1

JERR-DAN

An Oshkosh Truck Corporation Company

4.25

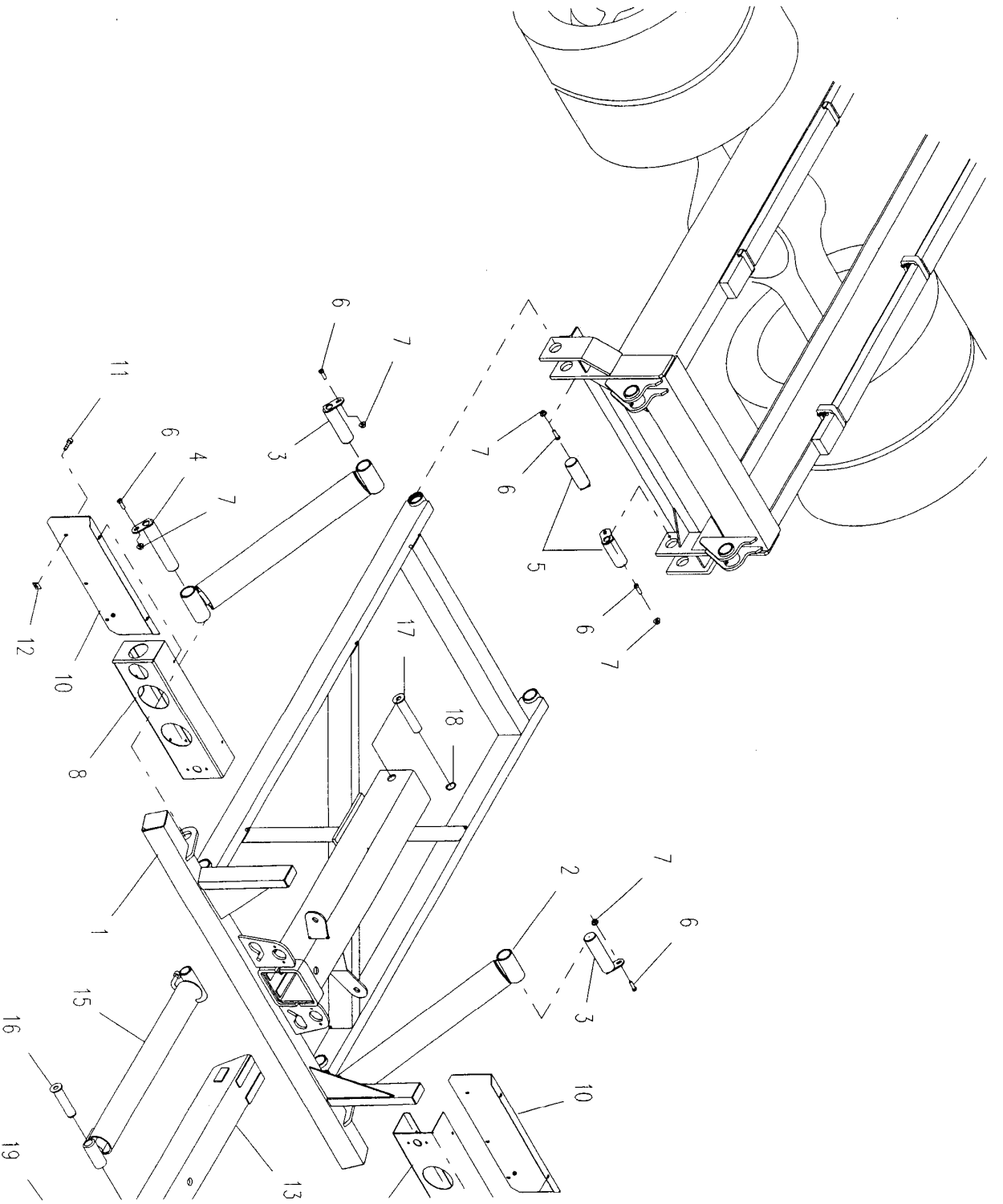
Rev. _____

Date _____

PARTS LIST — FINAL ASSEMBLY -
REAR DOCK STABILIZER W/ HYDRAULIC ADJUSTABLE
PINTLE PROVISION

Ref. No.	Part No.	Description	Qty.
1	3020000087	Arm Weld	1
2	3320000101	Cylinder Assy-(S10)	2
	3320000100	Cylinder Assy-(S15)	2
3	3691000185	Pin Weld	2
4	3691000186	Pin Weld	2
5	3691000187	Pin Weld	2
6	7115161050	Capscrew	6
7	7660162301	Locknut	6
8	3178000233	Lightbox L.H.	1
9	3178000234	Lightbox R.H.	1
10	4314000043	Lightbox Cover	2
11	7111140513	Screw	8
12	7661000019	U-Nut	8
13	3170000203	Inner Boom Weld	1
14	3691000064	Pin Weld	1
15	3320000086	Cylinder Assy	1
16	3691000011	Pin Weld	1
17	3691000042	Pin Weld	1
18	7754000006	Retaining Ring	2
19	7691000001	Hair Pin	1

FINAL ASSEMBLY - REAR DOCK STABILIZER WITH HYDRAULIC ADJUSTABLE PINTLE HITCH PROVISION



PARTS LIST — DUAL CONTROLS

Ref. No.	Part No.	Description	Qty.
1	3935000096	Control Valve (A)	1
	3935000097	Control Valve (B)	
	3935000098	Control Valve (C)	
	3935000099	Control Valve (D)	
2	4263000430	Channel	1
3	7111161050	Capscrew	4
4	7950160161	Washer	4
5	7660162601	Locknut	4
6	4263000431	Channel	1
7	7790151253	Screw	12
8	7950150161	Flatwasher	8
9	7560000003	Control Hood	2
10	7330000370	Control Panel Placard - LH	1
11	7330000371	Control Panel Placard - RH	1
12	7791060872	Self Tapping Screw	12
13	7590000087	Lamp	2
14	4606000065	Lug	4
15	7111150864	Carriage Bolt	8
16	7950150000	Lock Washer	8
17	7660152601	Locknut (A)	17
	7660152601	Locknut (B)	20
	7660152601	Locknut (C)	20
	7660152601	Locknut (D)	20
18	7551000021	Handle	2
19	7551000020	Handle (A,B)	2
	7551000020	Handle (C,D)	4
20	7551000018	Handle	2
21	7950220141	Washer	2
22	4691000141	Pin	2
23	7754000009	Retaining Ring	4
24	3763000090	Control Rod (A)	3
	3763000090	Control Rod (B)	4
	3763000090	Control Rod (C)	4
	3763000090	Control Rod (D)	4
	3763000090	Control Rod (D)	4
25	4763000210	Control Rod (A)	3
	4763000210	Control Rod (B)	4
	4763000210	Control Rod (C)	4
	4763000210	Control Rod (D)	4
26	7115150850	Capscrew (A)	9
	7115150850	Capscrew (B)	12
	7115150850	Capscrew (C)	12
	7115150850	Capscrew (D)	12
27	7949000011	Washer (A)	9
	7949000011	Washer (B)	12
	7949000011	Washer (C)	12
	7949000011	Washer (D)	12
28	4831000069	Spacer (A)	12
	4931000069	Spacer (B)	12
	4831000069	Spacer (C)	12
	4831000069	Spacer (D)	12

JERR-DAN

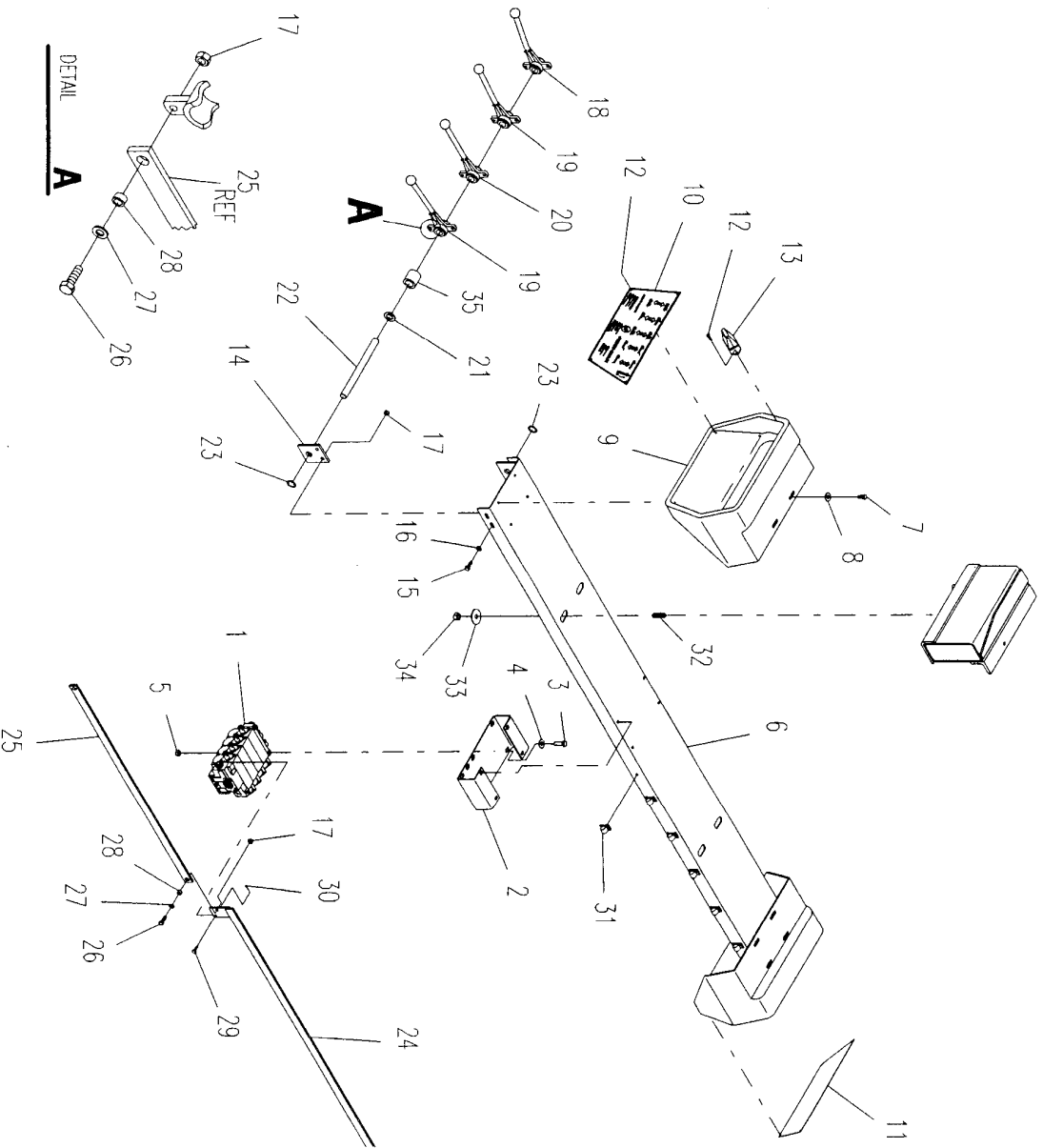
An Oshkosh Truck Corporation Company

PARTS LIST — DUAL CONTROLS

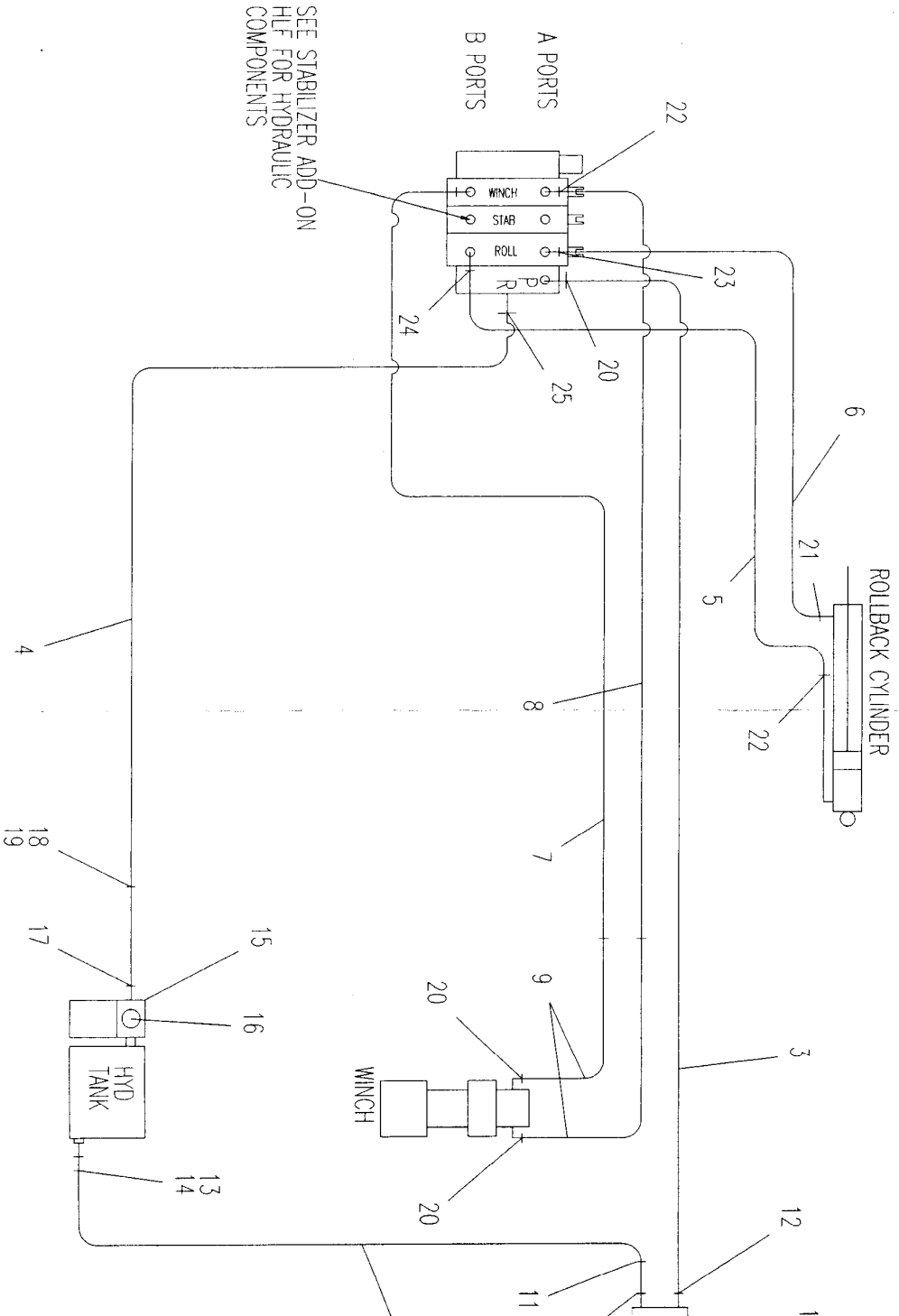
Ref. No.	Part No.	Description	Qty.
29	7690101200	Clevis Pin (A)	3
	7690101200	Clevis Pin (B)	4
	7690101200	Clevis Pin (C)	4
	7690101200	Clevis Pin (D)	4
30	7690000810	Cotter Pin (A)	3
	7960000810	Cotter Pin (B)	4
	7690000810	Cotter Pin (C)	4
	7690000810	Cotter Pin (D)	4
31	7280000007	Wire Clip	11
32	7866184240	Stud	4
33	7950180161	Washer	4
34	7660181601	Locknut	4
35	4209000021	Bushing (A, B, C)	4
	4209000021	Bushing (D)	2

- A - Application with 3 Bank Valve
- B - Application with 3 Bank Valve + Solenoid
- C - Application with 4 Bank Valve
- D - Application with 4 Bank Valve + Solenoid

DUAL CONTROLS



HYDRAULIC COMPONENTS



PARTS LIST — HYDRAULIC COMPONENTS

Ref. No.	Part No.	Description	Qty.
1	7724000021	Pump	1
2	**	Supply Hose	1
3	**	Pressure Hose Assembly	1
4	**	Return Hose	1
5	4567123042	Hose Assembly (24' & 26')	1
	4567123057	Hose Assembly (28')	1
6	4567122035	Hose Assembly	1
7	4569433122	Hose Assembly (24' & 26')	1
	4569433132	Hose Assembly (28')	1
8	4569432122	Hose Assembly (24' & 26')	1
	4569432132	Hose Assembly (28')	1
9	4567430153	Hose Assembly (24')	2
	4567430177	Hose Assembly (26')	1
	4567430193	Hose Assembly (28')	1
10	7445081643	Adapter	1
11	7443000023	Elbow	1
12	7443000101	Adapter	1
13	7443000013	Nipple	1
14	7274000002	Clamp	1
15	7430000003	Filter Head and Element	1
16	7470000002	Gauge	1
17	7445161250	Reducer	1
18	7443000169	Adapter	1
19	7274000047	Clamp	1
20	7445081045	Elbow	3
21	7445080845	Elbow	1
22	7445080843	Adapter	3
23	7443000196	Restrictor	1
24	7445060843	Adapter	2
25	7443000168	Adapter	1

JERR-DAN

An Oshkosh Truck Corporation Company

4.31

Rev. _____

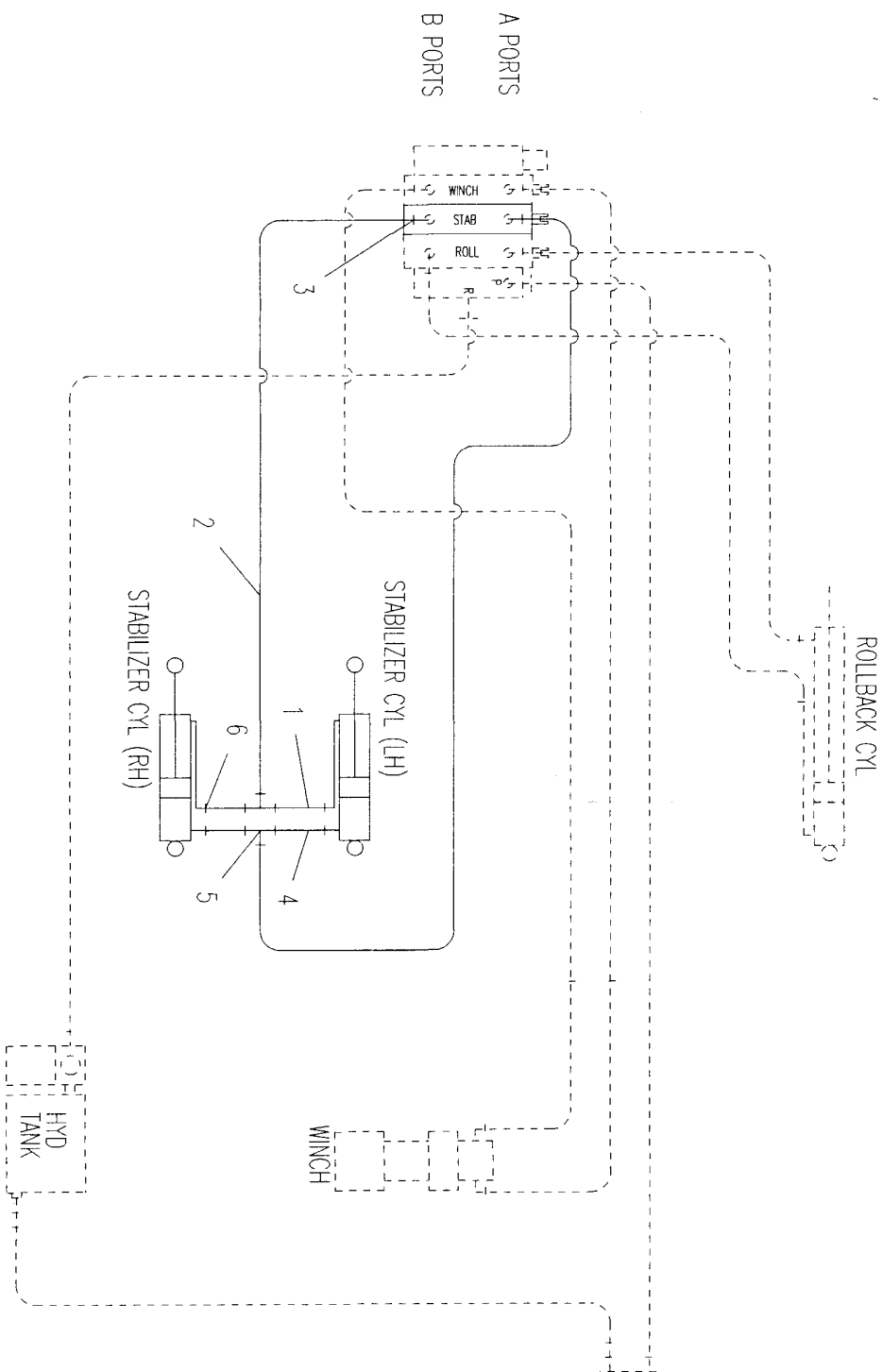
Date _____

PARTS LIST — HYDRAULIC COMPONENTS - STABILIZER

Ref. No.	Part No.	Description	Qty.
1	4567120042	Hose Assembly	2
2	4567123026	Hose Assembly	2
3	7445060843	Adapter	2
4	4567120023	Hose Assembly	2
5	7445060637	Union Tee	2
6	7445060645	Elbow	4
7	7274000041	Clamp	2

Item #7 not shown

HYDRAULIC COMPONENTS - STABILIZER



A PORTS
B PORTS

ROLLBACK CYL

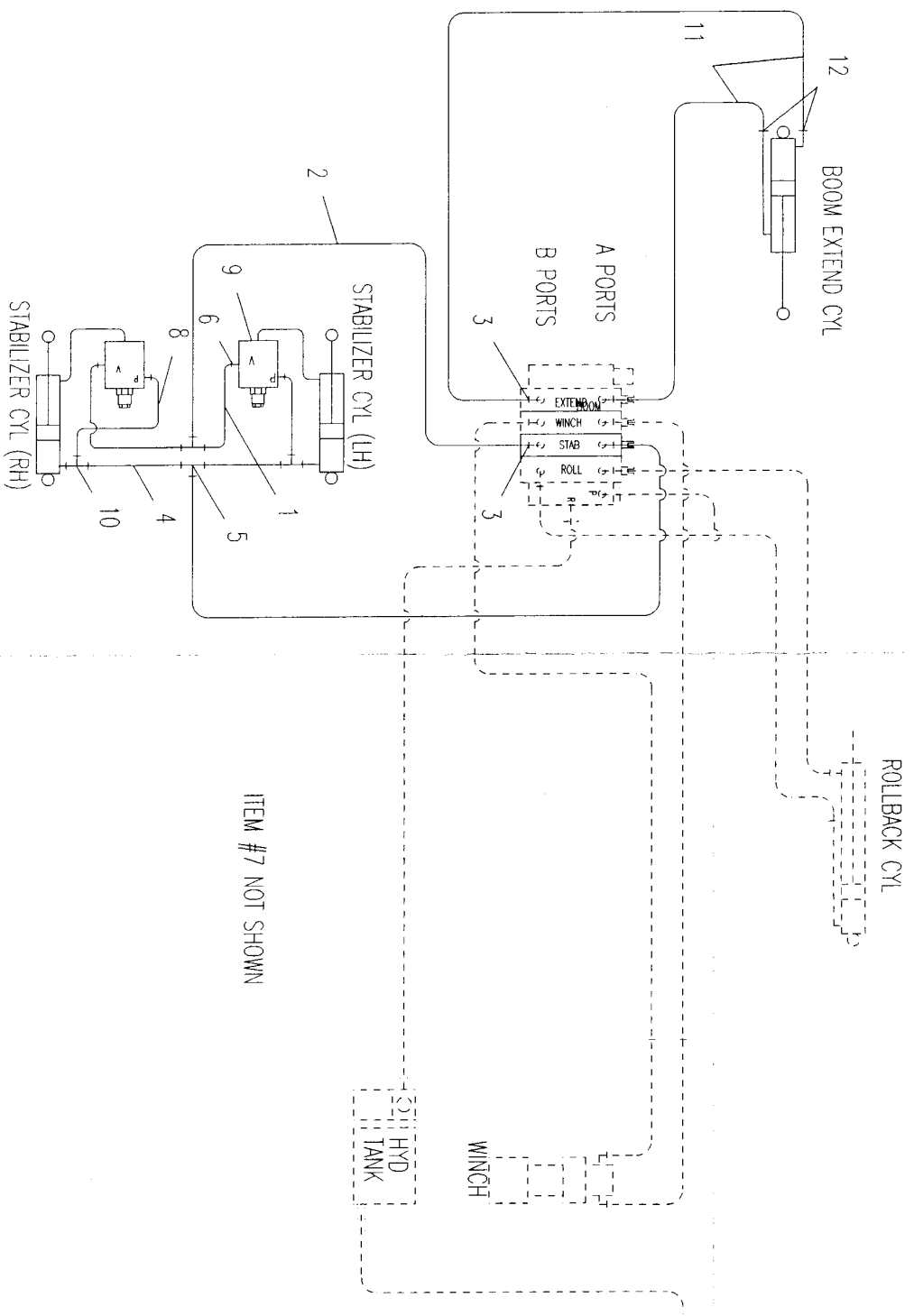
STABILIZER CYL (LH)

STABILIZER CYL (RH)

WINCH

HYD TANK

HYDRAULIC COMPONENTS - STABILIZER W/ MANUAL HITCH



ITEM #7 NOT SHOWN

**PARTS LIST — HYDRAULIC COMPONENTS - STABILIZER W/
MANUAL HITCH**

Ref. No.	Part No.	Description	Qty.
1	4567120042	Hose Assembly	2
2	4567123026	Hose Assembly	2
3	7445060843	Adapter	2
4	4567120023	Hose Assembly	2
5	7445060637	Union Tee	2
6	7445060645	Elbow	4
7	7274000041	Clamp	2
8	4567122021	Hose Assembly	2
9	7935000177	Valve Counterbalance	2
10	7445060647	Branch Tee	2

*ITEM #7 NOT SHOWN

JERR-DAN

An Oshkosh Truck Corporation Company

4.35

Rev. _____

Date _____

**PARTS LIST — HYDRAULIC COMPONENTS - STABILIZER W/
HYDRAULIC HITCH**

Ref. No.	Part No.	Description	Qty.
1	4567120042	Hose Assembly	2
2	4567123026	Hose Assembly	2
3	7445060843	Adapter	4
4	4567120023	Hose Assembly	2
5	7445060637	Union Tee	2
6	7445060645	Elbow	4
7	7274000041	Clamp	2
8	4567122022	Hose Assembly	2
9	7935000177	Valve Counterbalance	2
10	7445060647	Branch Tee	2
11	4567120032	Hose Assembly	2
12	7445060643	Adapter	2

JERR-DAN

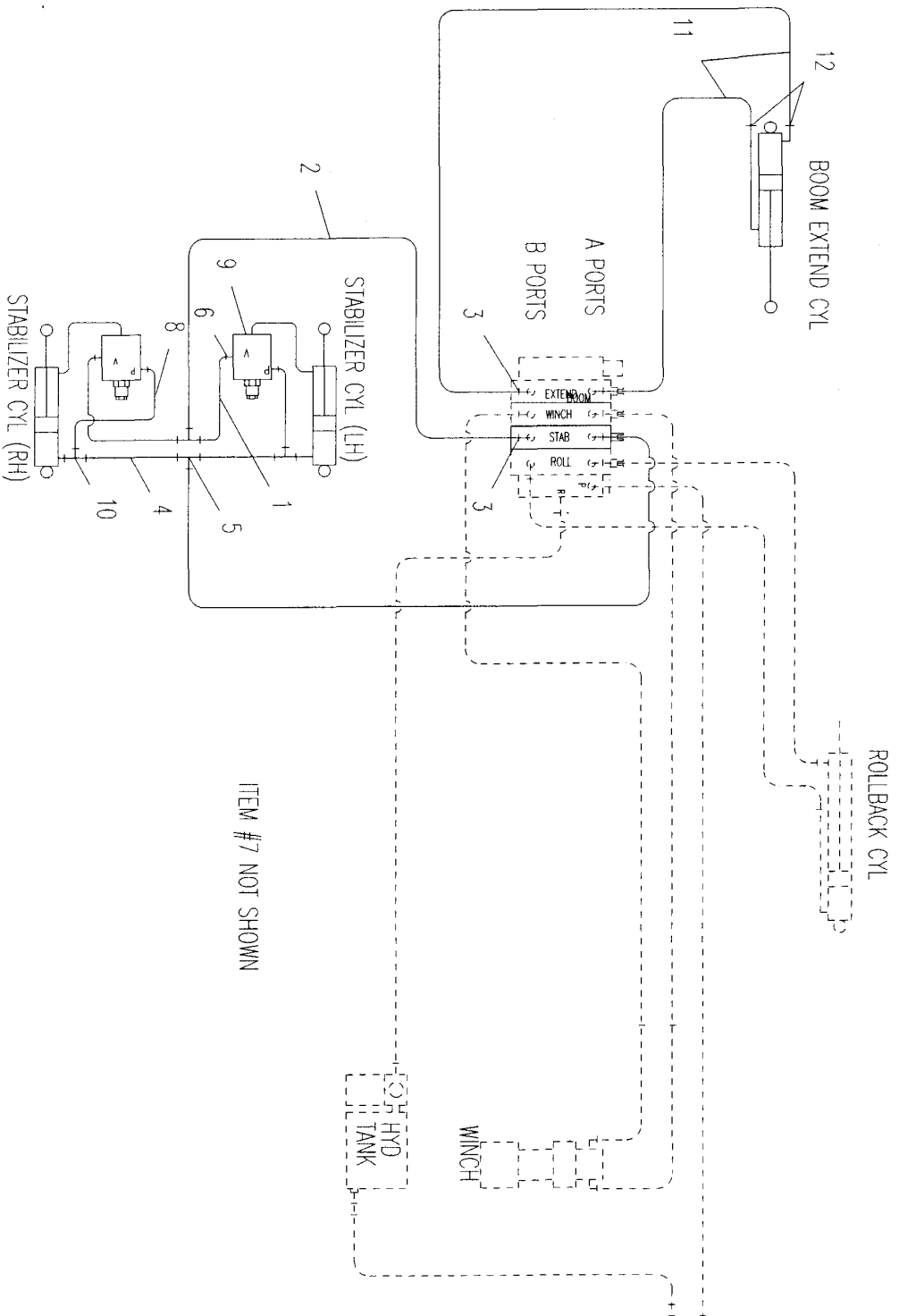
An Oshkosh Truck Corporation Company

4.36

Rev. _____

Date _____

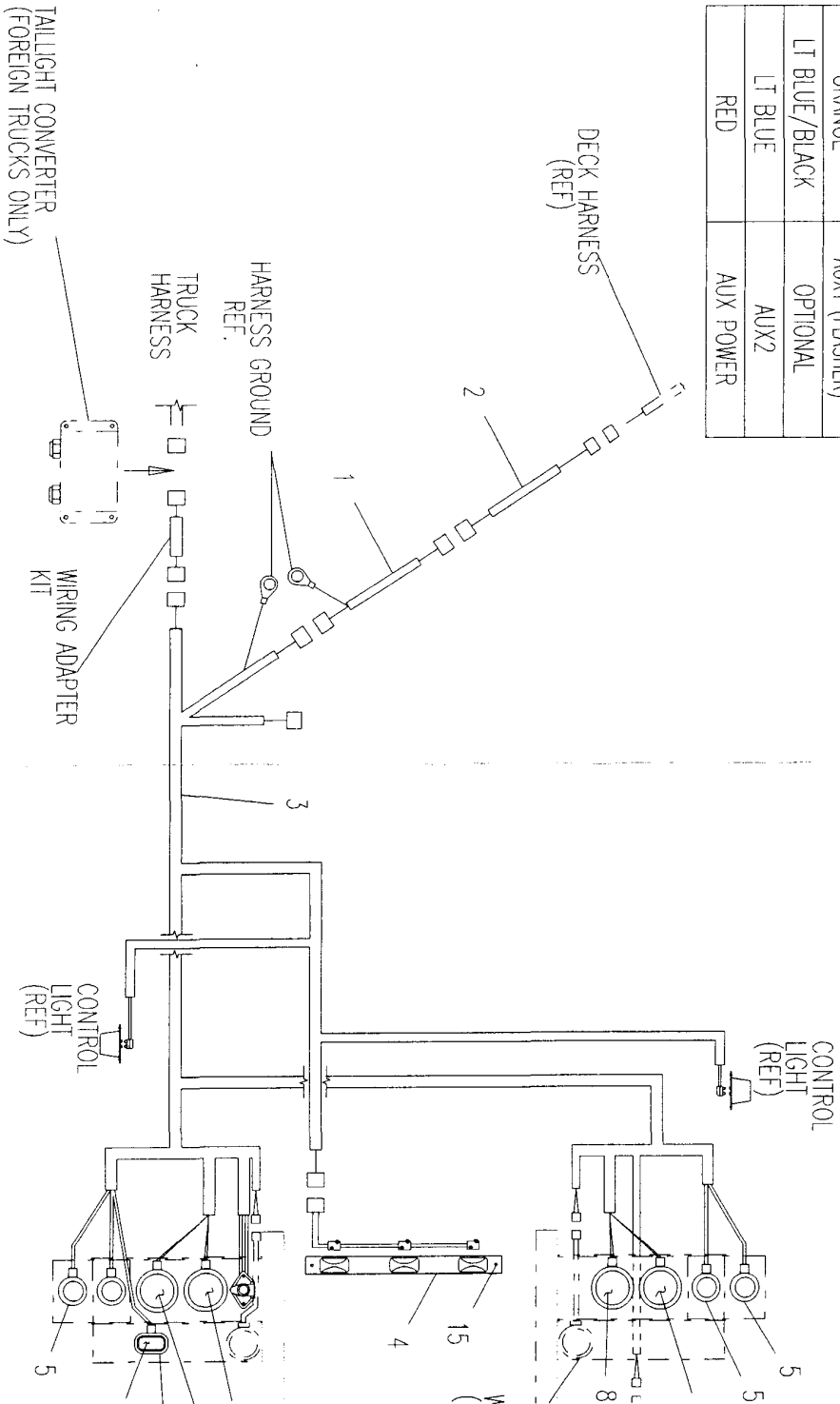
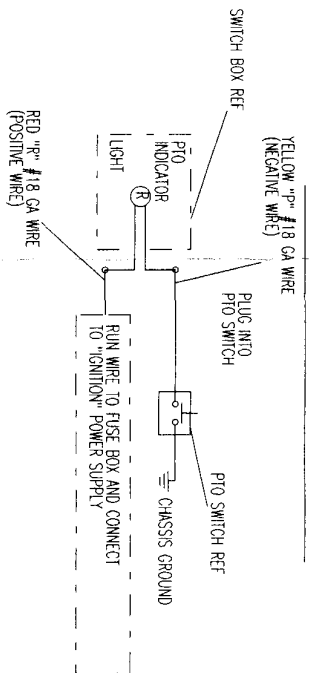
HYDRAULIC COMPONENTS - STABILIZER W/ HYDRAULIC H



ELECTRICAL COMPONENTS W/O EMERGENCY LIGHTS

WIRE COLOR	FUNCTION
WHITE	GROUND
BROWN	CLEARANCE
GREEN	RH STOP/TURN
YELLOW	LH STOP/TURN
BLACK	BACK-UP
BLUE	AUX
PURPLE	FLOOD
GRAY	BEACON (ROTATOR)
ORANGE	AUX1 (FLASHER)
LT BLUE/BLACK	OPTIONAL
LT BLUE	AUX2
RED	AUX POWER

PTO INDICATOR LIGHT WIRING SCHEMATIC
TYPICAL INSTALLATION



PARTS LIST — ELECTRICAL COMPONENTS W/O EMERGENCY LIGHTS

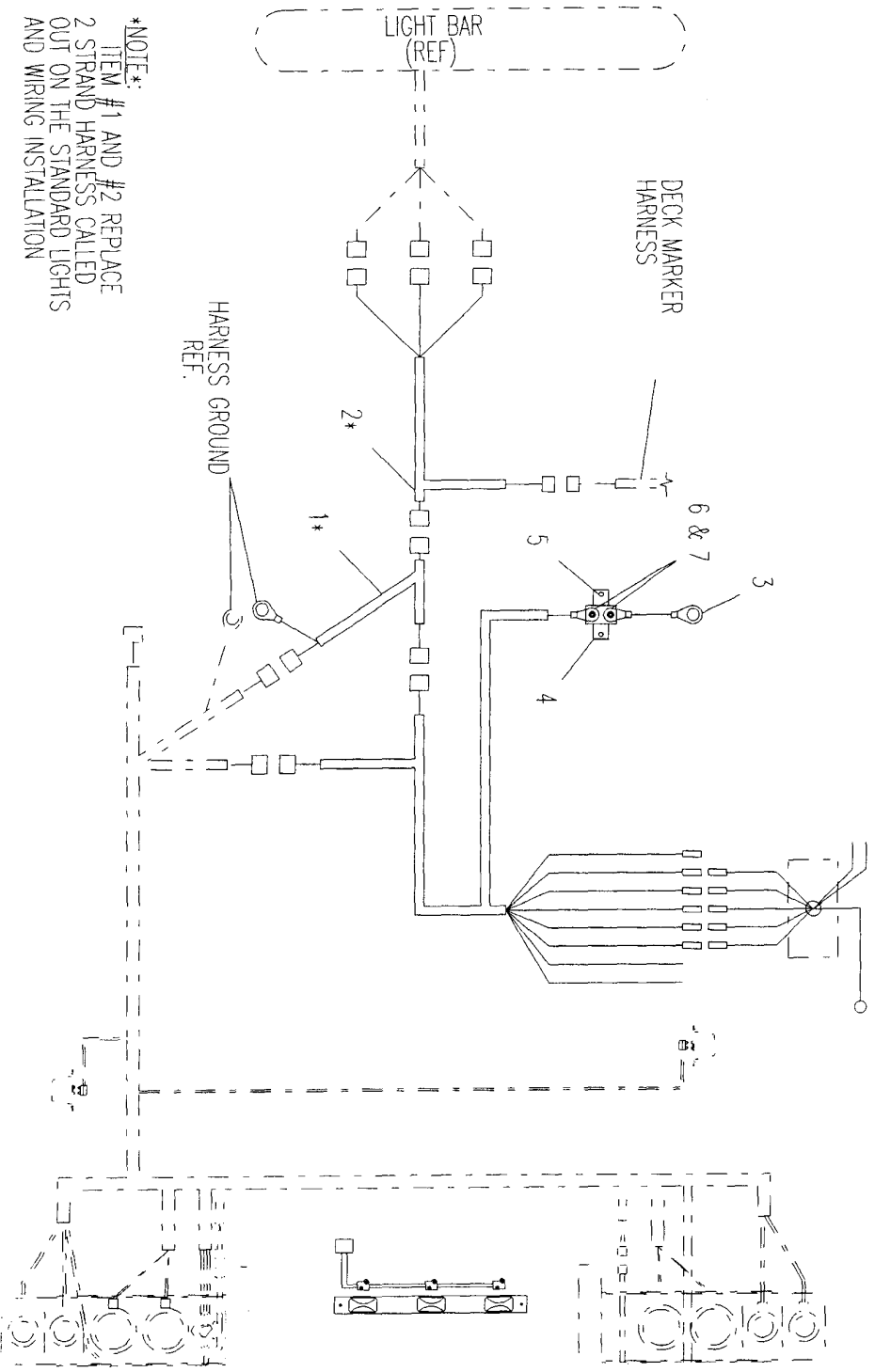
Ref. No.	Part No.	Description	Qty.
1	7552000190	Wiring Harness - Subframe/Deck	1
2	7552000191	Wiring Harness - Deck-Winch 24'/26'	1
	7552000192	Wiring Harness - Deck-Winch 28'	
3	7552000180	Wiring Harness - Subframe/Cab	1
4	7590000193	Lamp 3 Bar	1
5	7590000009	Light w/ Grommet	4
6	7115140850	Capscrew	2
7	7590000002	Light Assembly S/T/T	2
8	7590000003	Light Assembly-Back Up	2
9	7493000010	Grommet	1
10	7590000103	Light-License Plate	1
11	2314000001*	Light Box Cover	1
12	7660142601	Locknut	2
13	7950140161	Washer	2
14	7011000006	Backup Alarm	1
15	7790141656	Screw	1

* Item #11 not shown.

**PARTS LIST — ELECTRICAL COMPONENTS W/ EMERGENCY LIGHTS
ADD-ON**

Ref. No.	Part No.	Description	Qty.
1	7552000186	Wiring Harness - Subframe/Deck	1
2	7552000187	Wiring Harness - Deck-Winch 24'/26'	1
	7552000188	Wiring Harness - Deck-Winch 28'	
3	7345241902	Terminal	1
4	7457000004	Breaker	1
5	7790100856	Screw	2
6	7345221902	Terminal	2
7	7950100151	Flatwasher	2
8	7552000074	Wiring Harness - Sub-Cab 24'	1
	7552000178	Wiring Harness - Sub-Cab 26'-28'	1

ELECTRICAL COMPONENTS W/ EMERGENCY LIGHTS ADD-ON



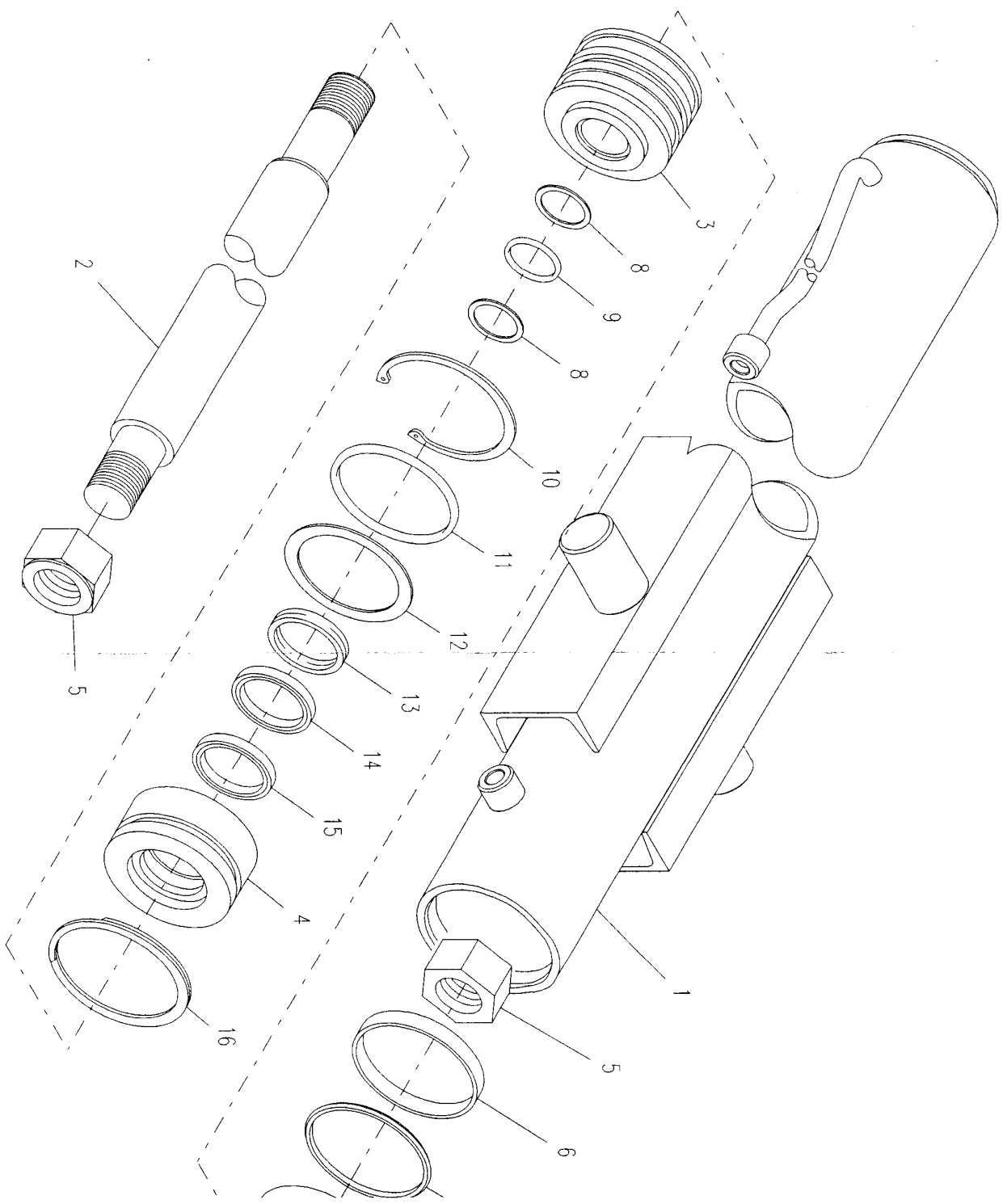
*NOTE:
 ITEM #1 AND #2 REPLACE
 2 STRAND HARNESS CALLED
 OUT ON THE STANDARD LIGHTS
 AND WIRING INSTALLATION

JERR-DAN
 An Oshkosh Truck Corporation Company

4.41

Rev. _____
 Date _____

ROLLBACK CYLINDER
3320000098



**PARTS LIST — ROLLBACK CYLINDER
3320000098**

Ref. No.	Part No.	Description	Qty.
1	3071000092	Barrel Weldment	1
2	4763000093	Rod	1
3	4698000009	Piston	1
4	4553000010	Head	1
5	7661000035	Locknut	2
6	7796000013*	Wear Ring	2
7	7796000064*	Locking "T" Seal	1
8	7755226609*	Back-up Ring	2
9	7755226000*	"O" Ring	1
10	7754000016*	Retaining Ring	1
11	7755338000*	"O" Ring	1
12	7755338609*	Back-up Ring	1
13	7754000012*	Wear Ring	1
14	7796000025*	Rod Seal	1
15	7796000011*	Rod Wiper Seal	1
16	7754000027*	Retaining Ring	1
17	7440030000	Grease Fitting	1

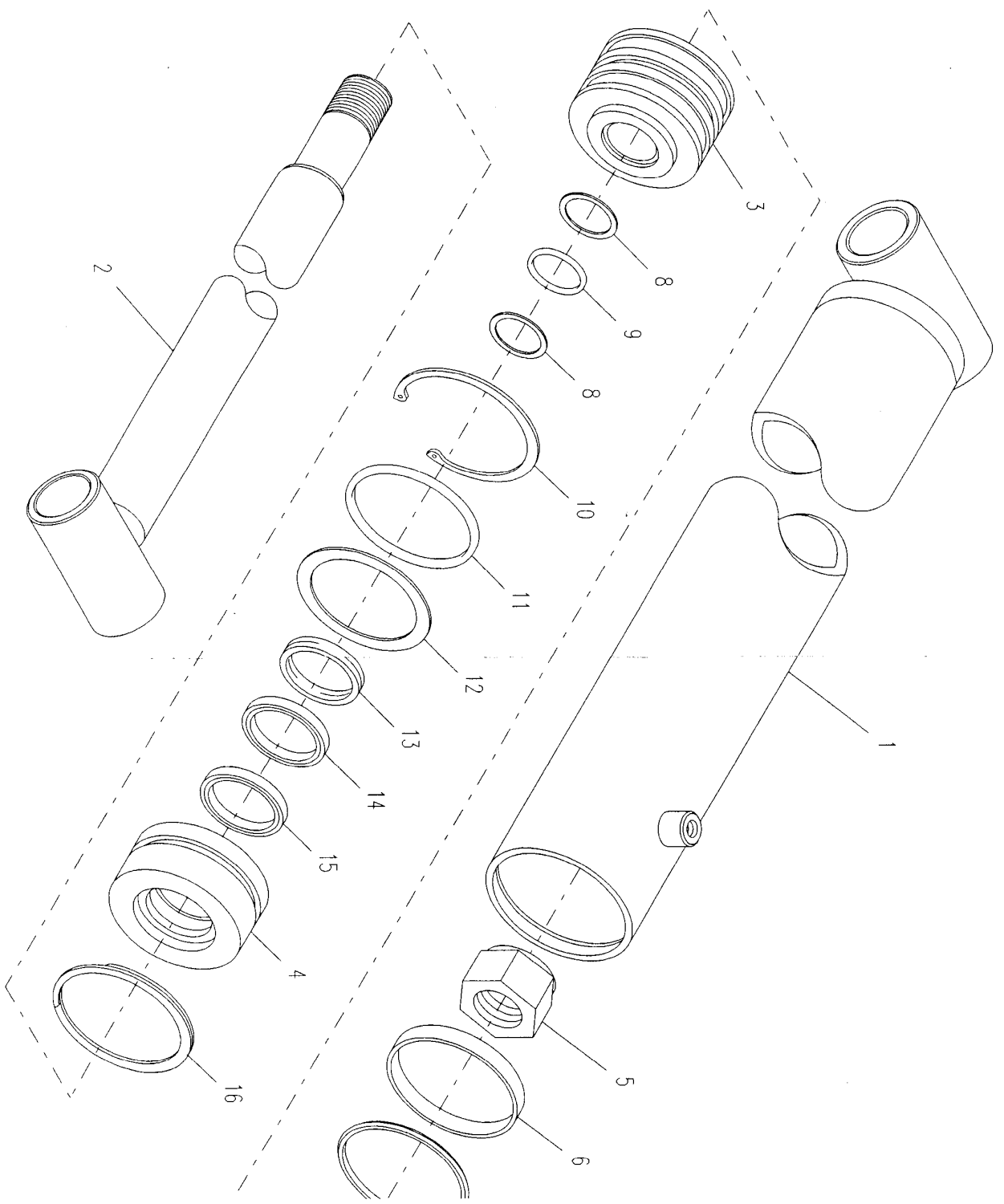
*Available only in Service Kit #7577250025

**PARTS LIST — ROLLBACK CYLINDER
3320000093**

Ref. No.	Part No.	Description	Qty.
1	3071000087	Barrel Weldment	1
2	4763000242	Rod	1
3	4698000009	Piston	1
4	4553000010	Head	1
5	7661000035	Locknut	2
6	7796000013*	Wear Ring	2
7	7796000064*	Locking "T" Seal	1
8	7755226609*	Back-up Ring	2
9	7755226000*	"O" Ring	1
10	7754000016*	Retaining Ring	1
11	7755338000*	"O" Ring	1
12	7755338609*	Back-up Ring	1
13	7754000012*	Wear Ring	1
14	7796000025*	Rod Seal	1
15	7796000011*	Rod Wiper Seal	1
16	7754000027*	Retaining Ring	1
17	7440030000	Grease Fitting	1

*Available only in Service Kit #7577250025

STABILIZER CYLINDER - SUPER 10
3320000096



**PARTS LIST — STABILIZER CYLINDER- SUPER 10
3320000096**

Ref. No.	Part No.	Description	Qty.
1	3071000090	Barrel Weldment	1
2	3763000024	Rod Weldment	1
3	4698000009	Piston	1
4	4553000010	Head	1
5	7661000035	Locknut	2
6	7796000013*	Wear Ring	2
7	7796000064*	Locking "T" Seal	1
8	7755226609*	Back-up Ring	2
9	7755226000*	"O" Ring	1
10	7754000016*	Retaining Ring	1
11	7755338000*	"O" Ring	1
12	7755338609*	Back-up Ring	1
13	7754000012*	Wear Ring	1
14	7796000025*	Rod Seal	1
15	7796000011*	Rod Wiper Seal	1
16	7754000027*	Retaining Ring	1
17	7440030000	Grease Fitting	2

Note: Item #17 not shown

*Available only in Service Kit #7577250025

JERR-DAN

An Oshkosh Truck Corporation Company

4.47

Rev. _____

Date _____

**PARTS LIST — STABILIZER CYLINDER- SUPER 15
3320000095**

Ref. No.	Part No.	Description	Qty.
1	3071000089	Barrel Weldment	1
2	3763000024	Rod Weldment	1
3	4698000008	Piston	1
4	4553000010	Head	1
5	7661000035	Locknut	2
6	7754000011*	Wear Ring	2
7	7796000065*	Locking "T" Seal	1
8	7755226609*	Back-up Ring	2
9	7755226000*	"O" Ring	1
10	7754000013*	Retaining Ring	1
11	7755342000*	"O" Ring	1
12	7755342609*	Back-up Ring	1
13	7754000012*	Wear Ring	1
14	7796000025*	Rod Seal	1
15	7796000011*	Rod Wiper Seal	1
16	7754000028*	Retaining Ring	1
17	7440030000	Grease Fitting	2

Note: Item #17 not shown

*Available only in Service Kit #7577250026

JERR-DAN

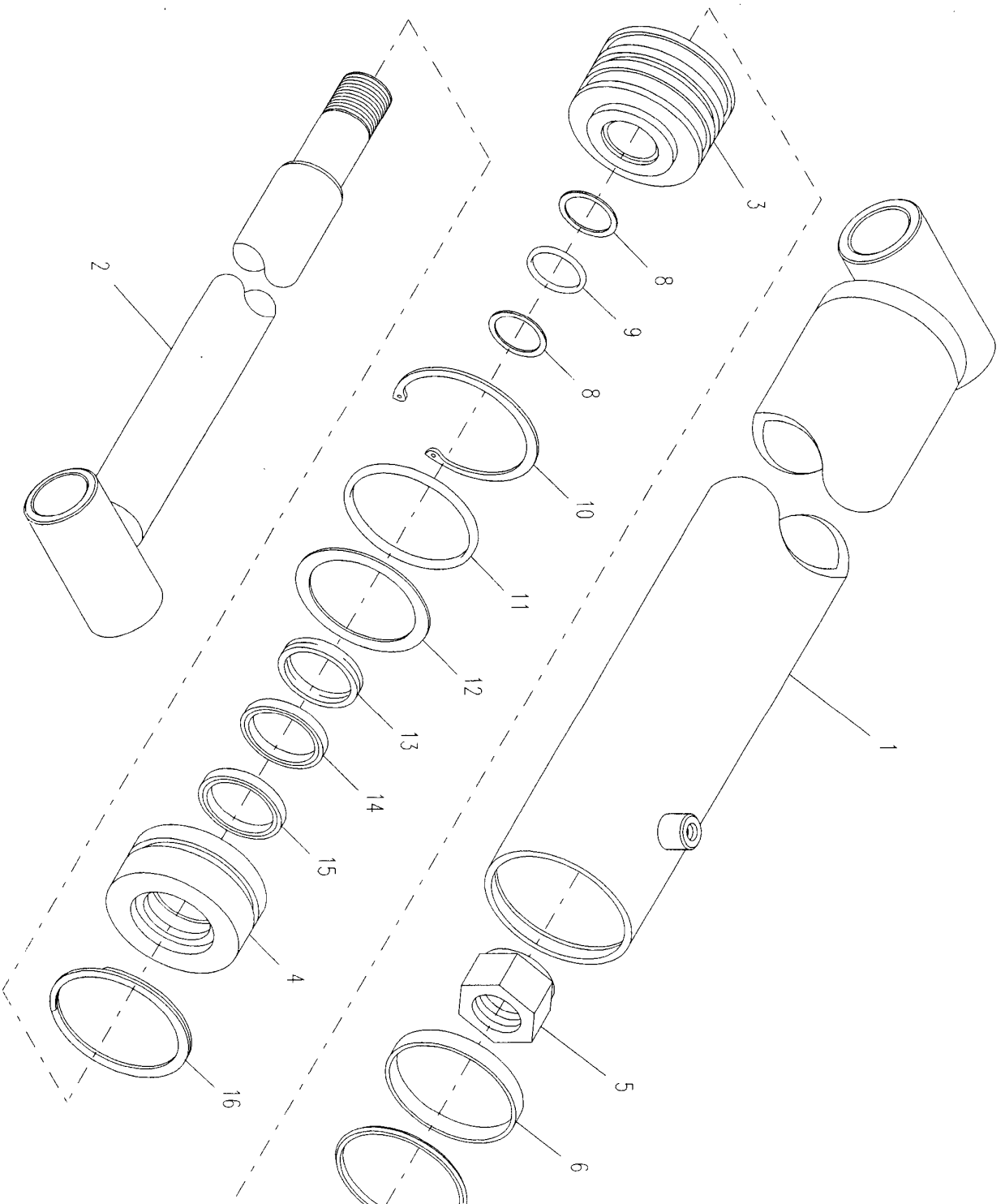
An Oshkosh Truck Corporation Company

4.48

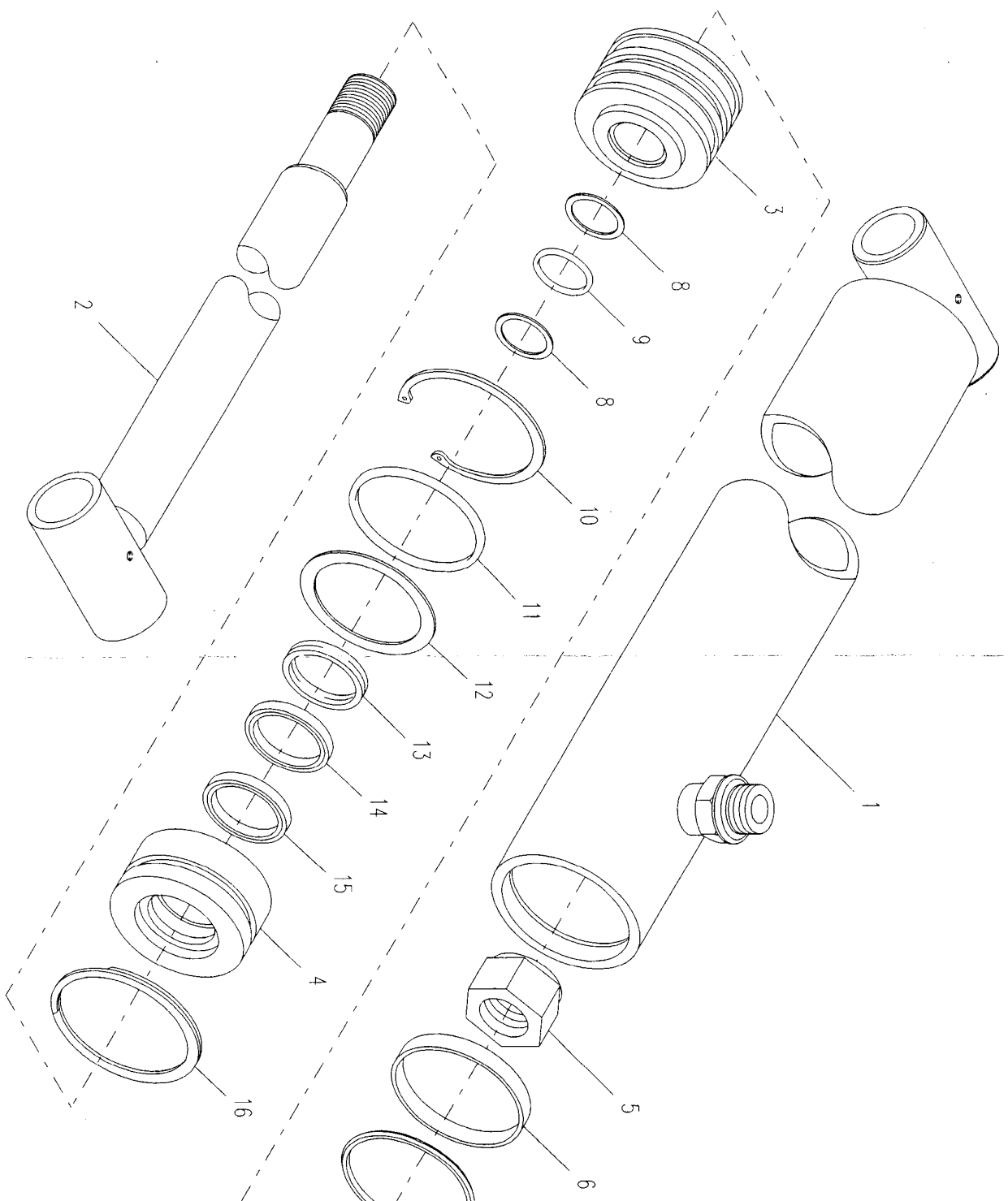
Rev. _____

Date _____

STABILIZER CYLINDER - SUPER 15
332000095



STABILIZER W/TOW OPTION CYLINDER - S10
3320000101



**PARTS LIST — STABILIZER W/TOW OPTION CYLINDER - S10
3320000101**

Ref. No.	Part No.	Description	Qty.
1	3071000094	Barrel Weldment	1
2	3763000024	Rod Weldment	1
3	4698000009	Piston	1
4	4553000010	Head	1
5	7661000035	Locknut	1
6	7796000013*	Wear Ring	2
7	7796000064*	Locking "T" Seal	1
8	7755226609*	Back-up Ring	2
9	7755226000*	"O" Ring	1
10	7754000016*	Retaining Ring	1
11	7755338000*	"O" Ring	1
12	7755338609*	Back-up Ring	1
13	7754000012*	Wear Ring	1
14	7796000025*	Rod Seal	1
15	7796000011*	Rod Wiper Seal	1
16	7754000027*	Retaining Ring	1
17	7440030000	Grease Fitting	2

*Available only in Service Kit #7577250025

JERR-DAN

An Oshkosh Truck Corporation Company

4.51

Rev. _____

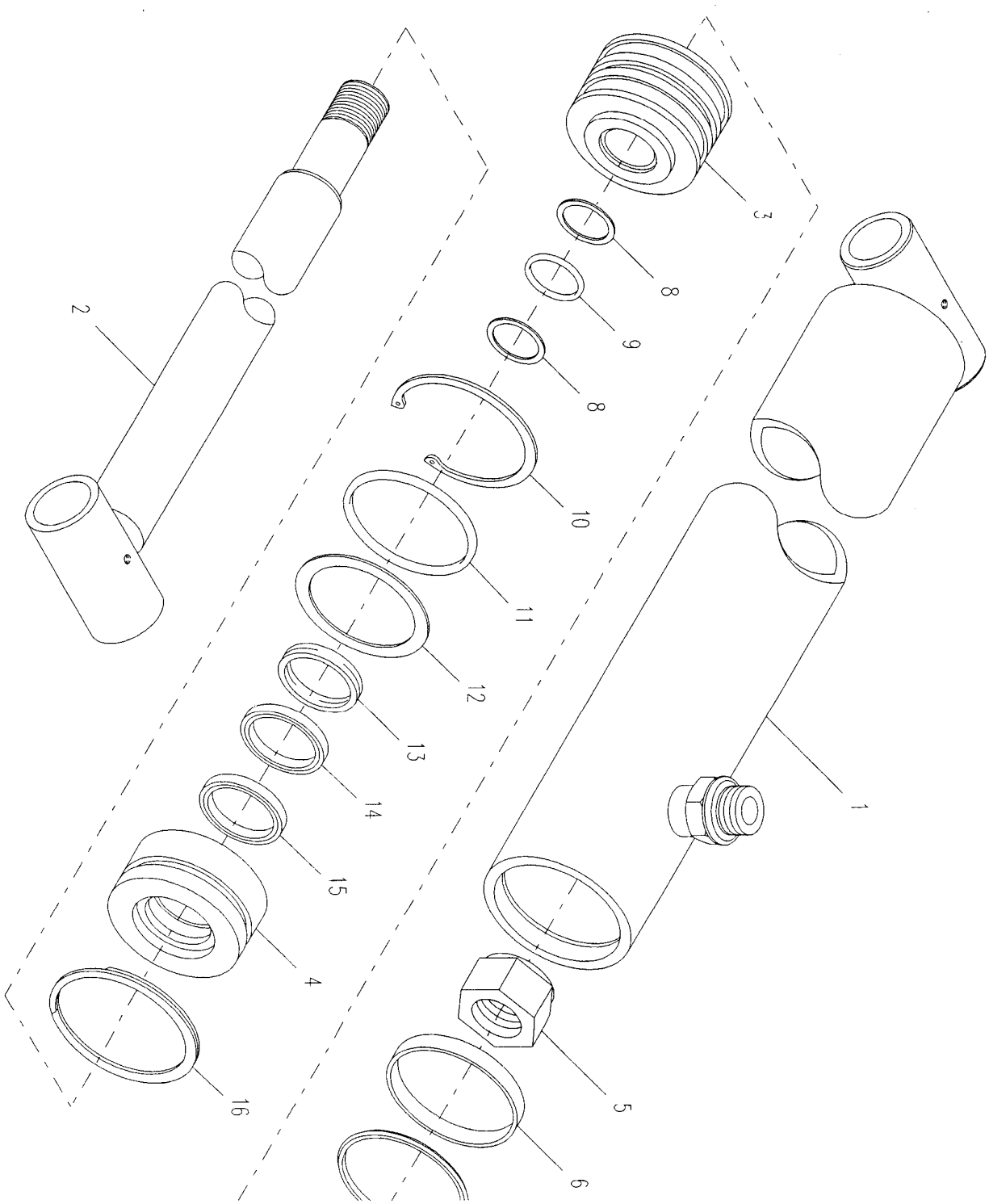
Date _____

**PARTS LIST — STABILIZER W/TOW OPTION CYLINDER - S15
3320000100**

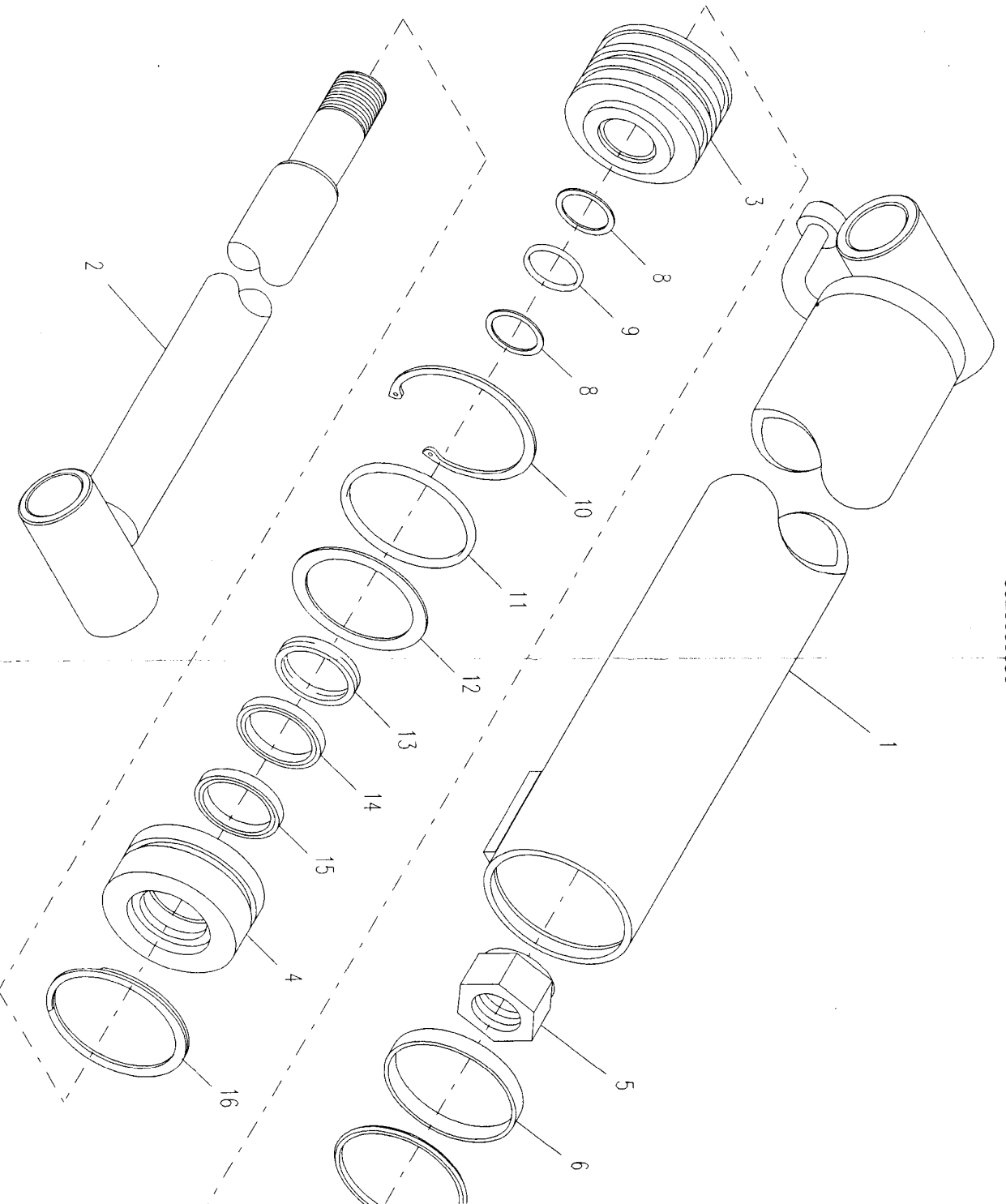
Ref. No.	Part No.	Description	Qty.
1	3071000093	Barrel Weldment	1
2	3763000024	Rod Weldment	1
3	4698000008	Piston	1
4	4553000009	Head	1
5	7661000035	Locknut	1
6	7754000011*	Wear Ring	2
7	7796000065*	Locking "T" Seal	1
8	7755226609*	Back-up Ring	2
9	7755226000*	"O" Ring	1
10	7754000013*	Retaining Ring	1
11	7755334200*	"O" Ring	1
12	7755342609*	Back-up Ring	1
13	7754000012*	Wear Ring	1
14	7796000025*	Rod Seal	1
15	7796000011*	Rod Wiper Seal	1
16	7754000028*	Retaining Ring	1
17	7440030000	Grease Fitting	2

*Available only in Service Kit #7577250026

STABILIZER ... LOW OPTION CYLINDER - S15
3320000100



STABILIZER TOW OPTION EXTEND CYLINDER
3320000086



**PARTS LIST — STABILIZER TOW OPTION EXTEND CYLINDER
3320000086**

Ref. No.	Part No.	Description	Qty.
1	3071000080	Barrel Weldment	1
2	3763000097	Rod Weldment	1
3	4698000007	Piston	1
4	4553000008	Head	1
5	7661000034	Locknut	1
6	7754000003*	Wear Ring	2
7	7796000063*	Locking "T" Seal	1
8	7755224609*	Back-up Ring	2
9	7755224000*	"O" Ring	1
10	7754000002*	Retaining Ring	1
11	7755334000*	"O" Ring	1
12	7755334609*	Back-up Ring	1
13	7754000004*	Wear Ring	1
14	7796000024*	Rod Seal	1
15	7796000008*	Rod Wiper Seal	1
16	7754000026	Retaining Ring	1
17	7440030000	Grease Fitting	2

Note: Item #17 not shown

*Available only in Service Kit #7577250024