

JERR-DAN[®]
CORP.

1080 Hykes Road
Greencastle, PA 17225

Phone (717) 597-7111

FINAL ASSEMBLY COMPONENTS

Item	Part No.	Part Name	Qty.
1	7111181253	Hex Head Bolt	4
2	A4525000206	Clamp Strip	2
3	A4525000207	Cylinder Cradle Belt	2
4	7111162453	Hex Head Bolt	2
5	B4525000205	Base	1
6	7660180000	Hex Head Nut	16
7	C1700100018	Rollback Cylinder 11'-0"	1
	C1700100016	Rollback Cylinder 10'-0"	1
8	8020003720	Guide Rod	1
9	7105201650	Hex Head Bolt	16
10	B2525000122 ¹	Slide Block Pivot	2
	2527000024 ²	Slide Block Pivot	2
11	A4526000295	Leveling Strips	2
12	A2520000008	L.H. Body Guide	1
13	C2534000062	Oil Reservoir	1
14	7950160251	Hex Head Nut	6
15	7950180000	Lockwasher	4
16	7111181253	Hex Head Bolt	4
17	7111201653	Hex Head Bolt	4
18	7950200161	Flat Washer	4
19	B2525000066	Hold-down, Right	1
20	C2525000065 ¹	Hold-down, Base	1
	2537000037 ²	Hold-down	1
21	7660200710	Hex Head Nut	6
22	7950200000	Lockwasher	4
23	B2525000067	Hold-down, Left	1
24	7105181450	Hex Head Bolt	6
25	7111201250	Hex Head Bolt	2
26	A252000009	Body Guide R.H.	1
27	7660202347	Hex Head Flanged Lock Nut	16
28	7950160000	Lockwasher	14
29	7660160000	Hex Head Nut	14
30	8493316308	Oak Strip x 8'-0" Long	As Req'd
31	7790144026	Self-tapping Screw	As Req'd
32	B4525000540	Decal Cover Plate	1
33	B4525000709	Mud Flap Bracket L.H.	1
34	7660150000	Hex Head Nut	8
35	7950150000	Lockwasher	8
36	B4525000708	Backup Strip	2
37	C5526000588	Mud Flap	2
38	7111150813	Truss Head Screw	8
39	7790140856	Hex Head Self-Tapping Screw	4
40	C4534000337	Valve Trough Dust Cover	1
41	C2534000026	Valve Trough	1
42	A2527000033	Upper & Lower Arm Support Shaft	4
43	7690143644	Roll Pin	10
44	A4525000502	Trunnion Strap	2
45	D2527000030	Lower Arm 58"	1
	D2527000031	Lower Arm 70"	1
46	D2527000026	Upper Arm 47"	1
	D2527000027	Upper Arm 40"	1
	D2527000025	Upper Arm 56"	1
47	B4526000172	Stop Light Bar Angle	1
48	*	Stop Light	1

Rev. 1

4.1

Date 04-01-96

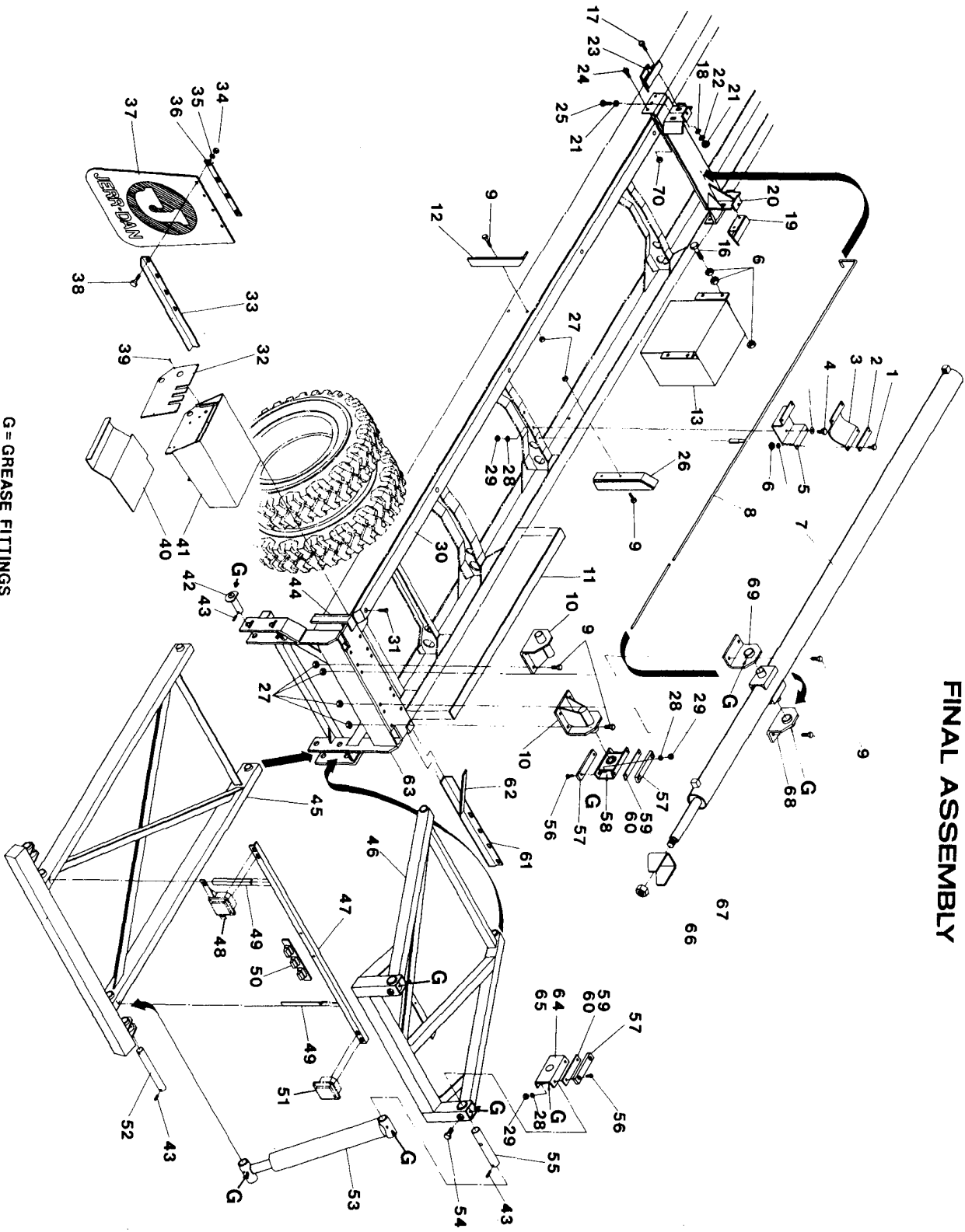
FINAL ASSEMBLY COMPONENTS

Item	Part No.	Part Name	Qty.
49	5526000171	Stop Light Bar Angle Support	2
50	5533000231	Light Bar	1
51	*	Stop Light	1
52	A4527000057	Pivot Shaft Arm	2
53	C1700100002	(Short) Super Tilt Cylinder	2
	C1700100003	(Long) Super Tilt Cylinder	2
54	7105201450	Hex Head Lock Bolt	2
55	A4525000106 ¹	Shaft	2
	4527000243 ²	Shaft	2
56	7111161208	Flat Head Slotted Screw	12
57	A4525000692	Nylatron Slide Block	8
58	B2525000255 ¹	Slide Block	2
	2527000064 ²	Slide Block	4
59	B4525000510	Shim Slide Block #11 Ga.	6
60	B4525000511	Shim Slide Block #16 Ga.	6
61	B4525000710	Mud Flap Bracket R.H.	1
62	A4525000085	Brace	1
63	D2527000006	Trunnion	1
64	B2527000254	Slide Block R.H. (Shown)	1
65	B2525000251	Slide Block L.H. (Not Shown)	1
66	7660341630	Hex Head Locknut	1
67	4525000305 ¹	Rollback Bracket	1
	4525000089 ²	Rollback Bracket	1
68	B2525000223 ¹	R.H. Cylinder Pivot	1
	2527000042 ²	R.H. Cylinder Pivot	1
69	B2525000123 ¹	L.H. Cylinder Pivot	1
	2527000023 ²	L.H. Cylinder Pivot	1
70	7660182317	Hex Head Locknut	6

¹ Super 10

² Super 15

FINAL ASSEMBLY

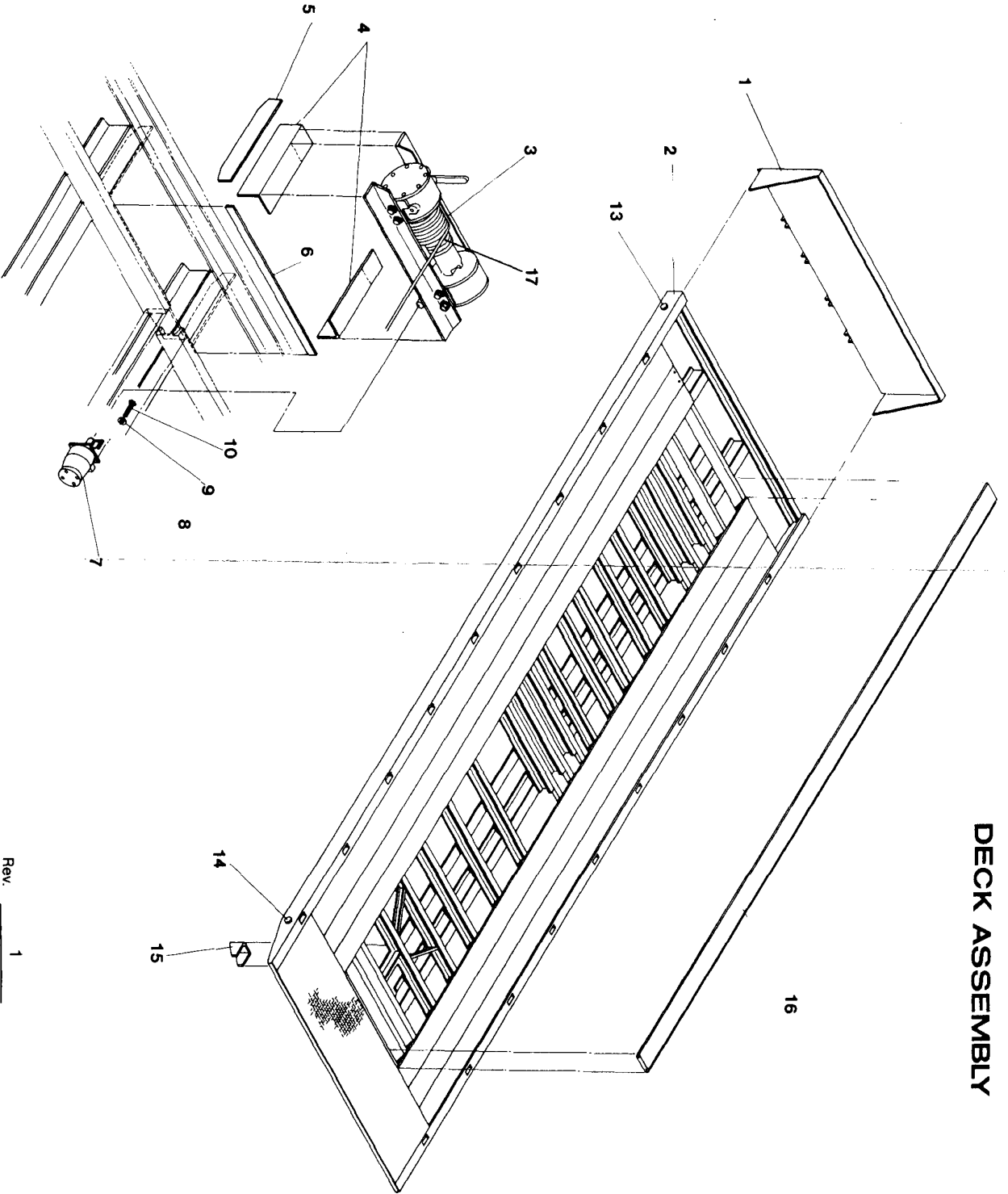


G = GREASE FITTINGS

4.2.

Rev. _____
Date _____

DECK ASSEMBLY



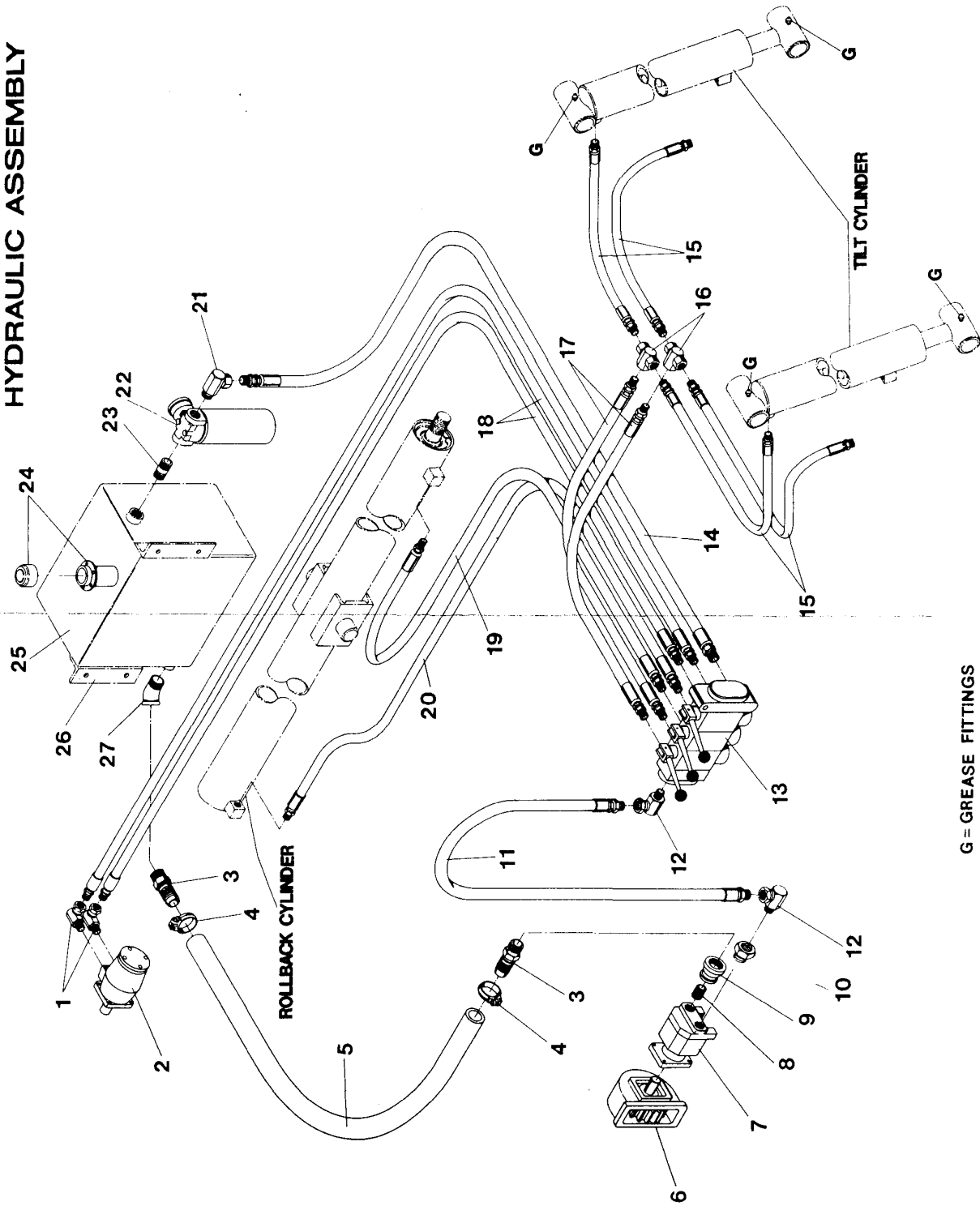
4.3

Rev. 1
Date 4-1-88

DECK ASSEMBLY

Item	Part No.	Part Name	Qty.
1	D2-100-2-00021	Cab Protector	1
2	See Brochure	Super Deck	1
3	C7-970-000012	Winch	1
	C7-970-000010	Opt. 20000# Winch	
4	A4-525-0-00703	Winch Mounting Angle	2
5	B4-525-0-00613	Tie Plate	2
6	A4-525-0-00608	Filler Plate	1
7	B7-626-000009	Orbit Motor	1
	7-626-000006	Opt. Orbit Motor	
9	7-950-1-60000	Lockwasher	4
10	7-111-1-60653	Hex Head Bolt	4
13	A5-525-0-00066	Amber Marker Light	2
14	A5-525-0-00065	Red Marker Light	2
15	4-525-0-00305	Rollback Bracket	1
16	*	Decking	As Req'd
17	3-525-000218	Wire Rope Ass'y	1

HYDRAULIC ASSEMBLY



G = GREASE FITTINGS

Rev. _____
Date _____

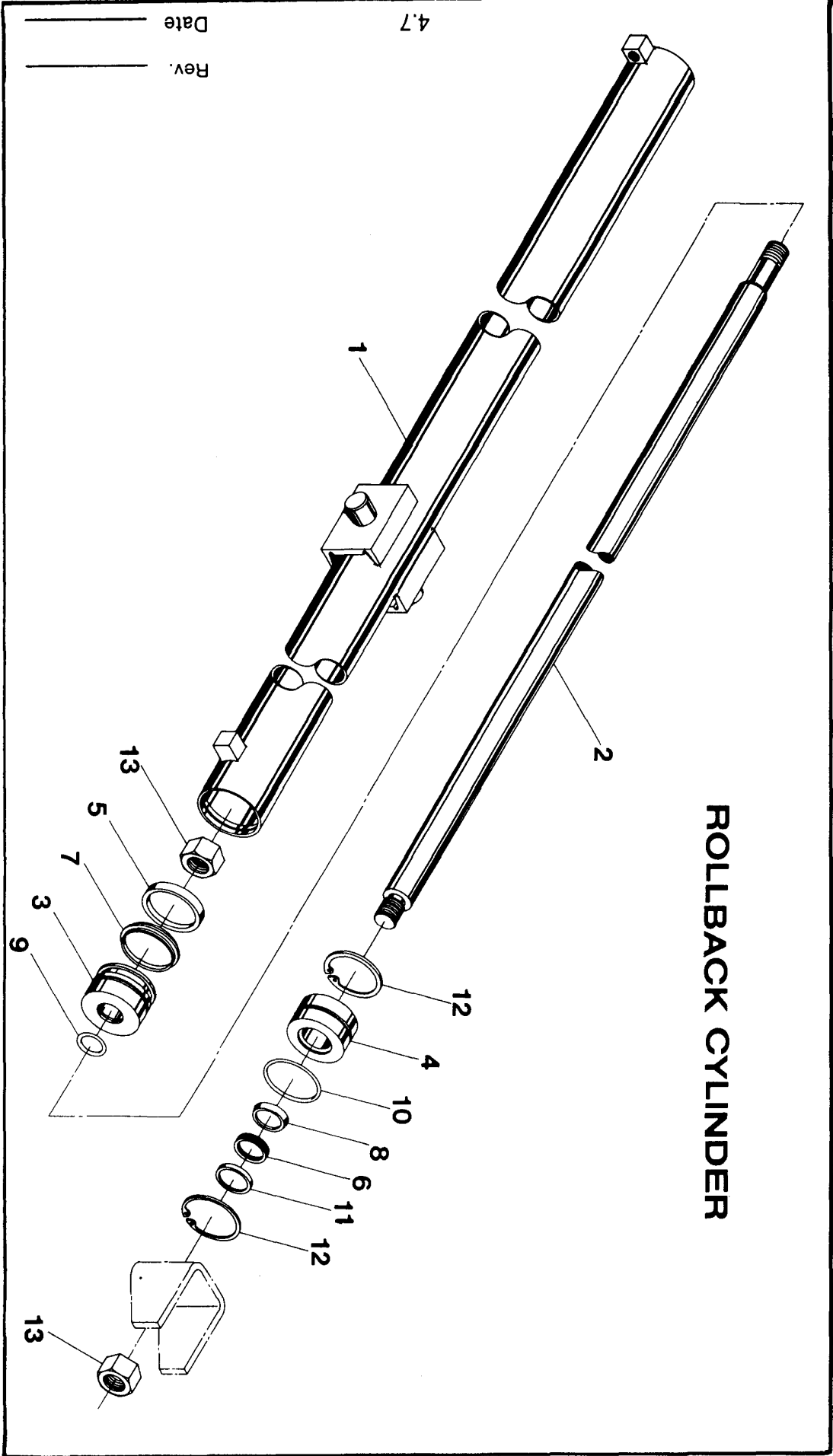
HYDRAULIC COMPONENTS

Item	Part No.	Part Name	Qty.
1		Swivel Elbow	2
2	3-525-0-00219	Orbit Motor	1
3	7-445-2-02078	Insert Fitting	2
4	7-274-000002	Hose Clamp	2
5	*	Suction Hose	1
6	*	P.T.O. (As Required)	1
7	3/527-0-00068	Dana Pump	1
8	7-650-080125	Pipe Nipple	1
9	7-444-080140	Black Pipe Reducer	1
10	7-444-080650	Reducer Bushing	1
11	*	Pressure Hose	1
12	7-445-121204	Swivel Elbow	2
13	5-525-0-00202	Valve-Gresen	1
14	*	Return Hose	1
15	*	Tilt Cylinder Hose 3/8"	4
16	7-445-0-80613	Swivel Tee Fitting	2
17	*	Tilt Cylinder Pressure Hose	2
18	*	Winch Hose	2
19	*	Rollback Cylinder Hose (Short)	1
20	*	Rollback Cylinder Hose (Long)	1
21	7-445-121204	90° Swivel Elbow (Hyd.)	1
22	3-525-0-00216	Oil Filter Pressure Gauge	1
23	7-650-0-60160	Pipe Nipple	1
24	5-100-0-00019	Breather Cap	1
25	2-534-0-00062	Oil Reservoir	1
26	B4-525-0-00212	Mounting Bracket	2
27	7-444-0-01090	Black Pipe St. Elbow	1

Rev. 1

Date 4-1-88

ROLLBACK CYLINDER



4.7

Date _____

Rev. _____

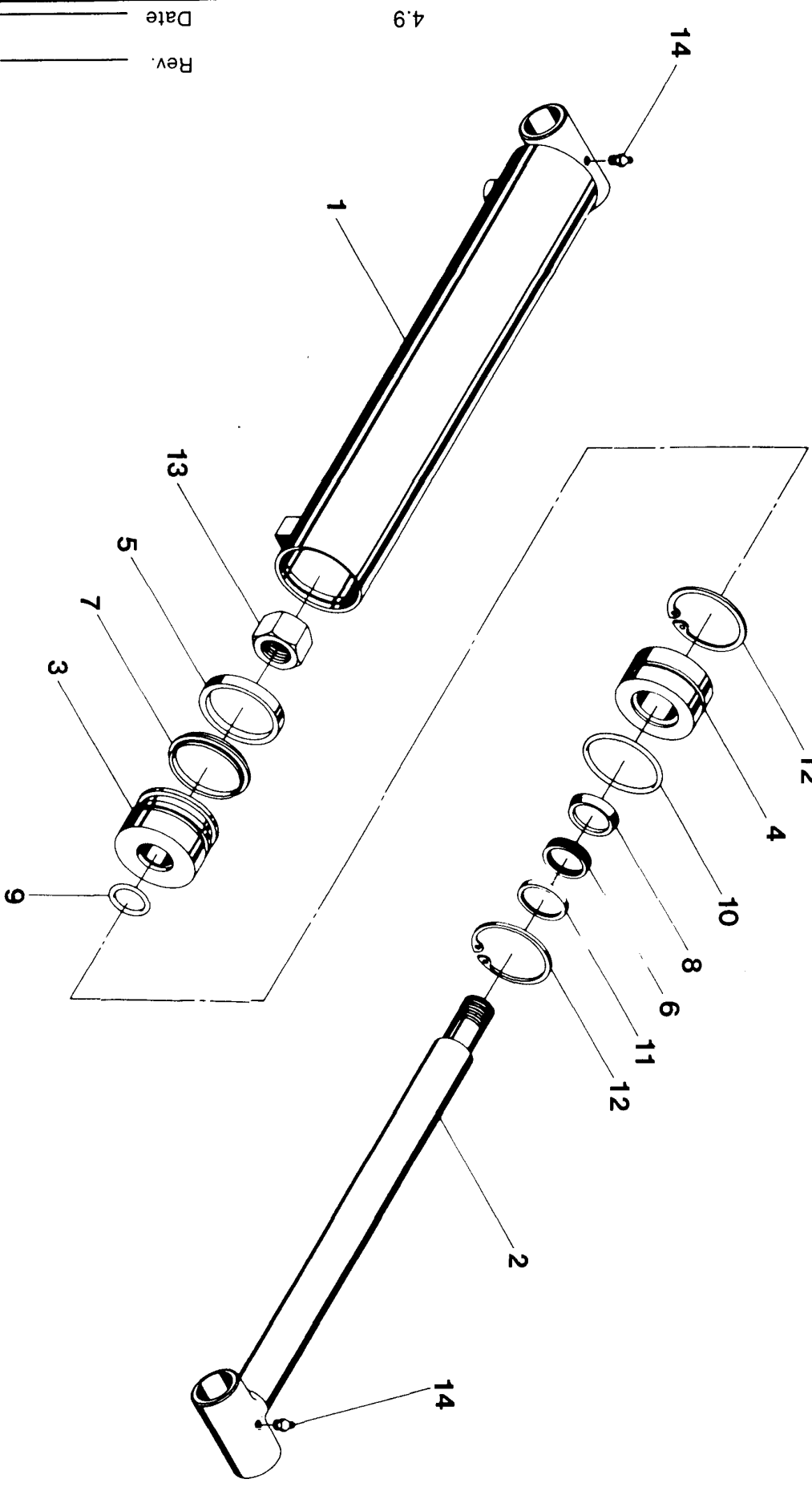
ROLLBACK CYLINDER

Item	Part No.	Part Name	Qty.
1	C2-700-2-00025	Barrel 716	1
	C2-700-2-00026	718	
2	B4-700-2-00043	Cylinder Rod 716	1
	B3-700-2-00045	718	
3	B4-700-2-00020	Piston	1
4	B4-700-2-00021	Head	1
5	A5-700-0-00008	Wear Ring	1
6	A5-700-0-00009	Wear Ring	1
7	A5-700-0-00010	'T' Piston Seal	1
8	A5-700-0-00011	Rod Seal	1
9	7-755-222000	'O' Ring	1
10	7-755-342000	'O' Ring	1
11	A5-700-0-00012	Rod Wiper Seal	1
12	A5-700-0-00013	Retaining Ring	2
13	7-660-341662	Lock Nut	2

Rev. _____

Date _____

TILT CYLINDER



4.9

Date _____

Rev. _____

LONG SUPER TILT CYLINDER

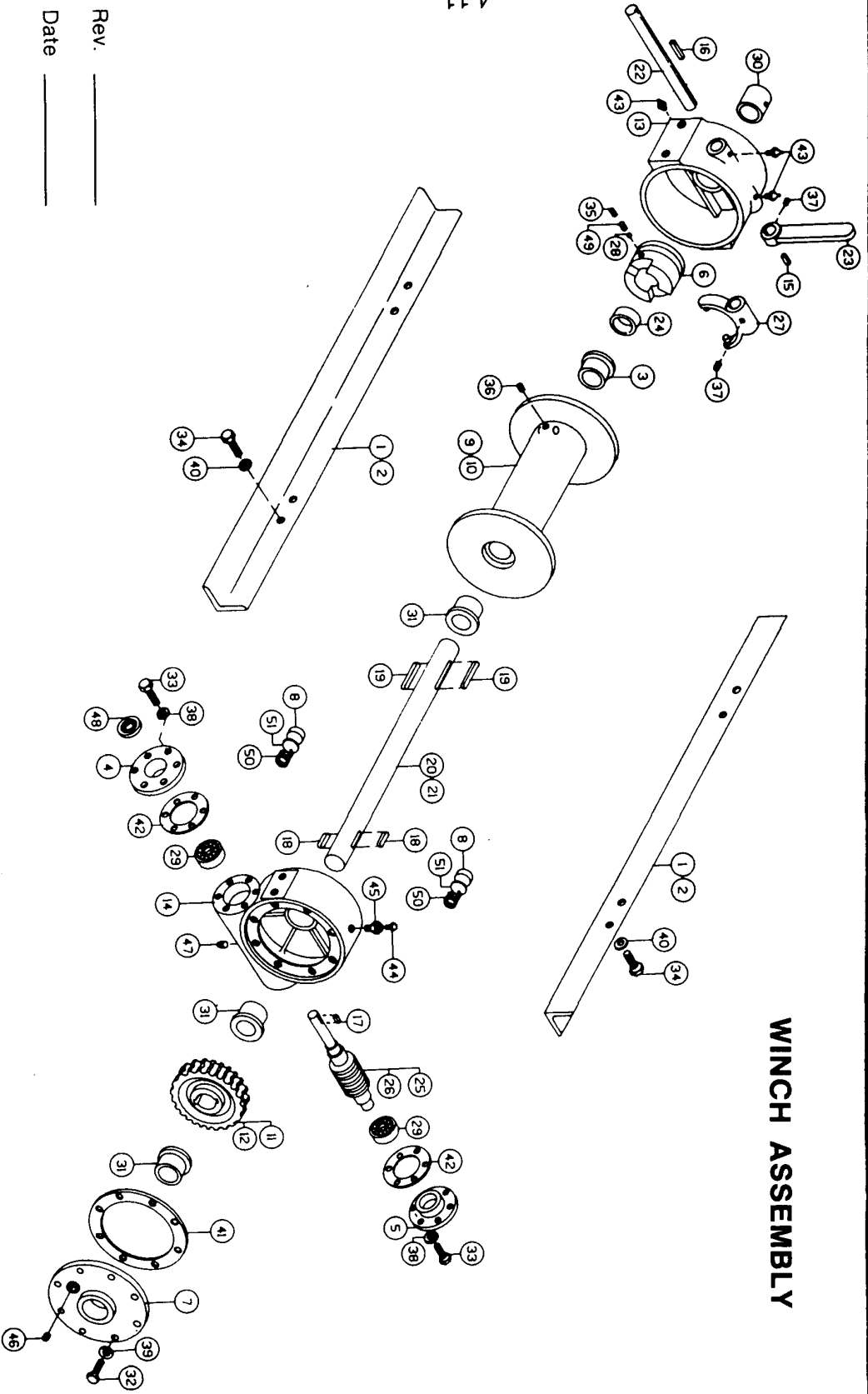
Item	Part No.	Part Name	Qty.
1	C2-700-2-00003	Barrel 702	1
	C2-700-2-00004	703	
2	B2-700-2-00005	Rod 702	1
	B2-700-2-00006	703	
3	B4-700-2-00020	Piston	1
4	B4-700-2-00021	Head	1
5	A5-700-0-00008	Wear Ring	1
6	A5-700-0-00009	Wear Ring	1
7	A5-700-0-00010	'T' Piston Seal	1
8	A5-700-0-00011	Rod Seal	1
9	7-755-222000	'O' Ring	1
10	7-755-342000	'O' Ring	1
11	A5-700-0-00012	Rod Wiper Seal	1
12	A5-700-0-00013	Retaining Ring	1
13	7-666-341662	Lock Nut	1
14	7-444-000000	Grease Fitting	1

Rev. _____

4.10

Date _____

WINCH ASSEMBLY



4.11

Rev. _____
Date _____

WINCH REPAIR PARTS

Item #	Qty.	Part No.	Description	Item #	Qty.	Part No.	Description
1	2	302124	Angle-400	27	1	370003	Yoke
2	2	302125	Angle-Y400	28	1	400003	Ball-Poppet
3	1	308046	Bushing-Y400	29	2	402044	Bearing-Ball
4	1	316003	Cap	30	1	412005	Bushing
5	1	316004	Cap	31	3	412006	Bushing-Y400
6	1	324102	Clutch-Jaw		1	412006	Bushing-400
7	1	328010	Cover	32	8	414069	Capscrew 5/16-18NCx3/4 Lg. Hx. Hd. Br.
8	2	330010	Shoe-Drag Brake	33	12	414139	Capscrew 5/16-18NCx1-1/4 Lg. Hx. Hd. Gr.5 Nylok
9	1	332004	Drum-400	34	8	414457	Capscrew 7/16-14NCx1-1/4 Lg. Hx. Hd. Gr.5
10	1	332074	Drum-Y400	35	1	414971	Screw-Poppet 1/2-20NF Hd. -Less Dr. Slot
11	1	334009	Gear-L.H.	36	1	416059	Setscrew 3/8-16NCx1/2 Lg. Hx. Soc. Hd. Cup Pt.
12	1	334016	Gear-R.H.	37	2	416108	Setscrew 5/16-18NCx3/8 Lg. Sq. Hd. Cup Pt.
13	1	338009	Housing-Clutch	38	12	418163	Lockwasher 5/16 Med. Sect. C.P.
14	1	338010	Housing-Gear	39	8	418169	Washer-Flat 5/16 Alum.
15	1	342024	Key-Sq. End	40	8	418198	Lockwasher 7/16 Med. Sect. C.P.
16	1	342032	Key-Sq. End	41	1	442010	Gasket
17	1	342051	Key-Rd. End	42	2	442053	Gasket
18	2	342120	Key-Rd. End	43	3	456006	Fitting-Lube
19	2	342123	Key-Rd. End	44	1	456008	Fitting-Relief
20	1	356702	Shaft-Drum-400	45	1	468002	Reducer
21	1	356716	Shaft-Drum-Y400	46	1	468010	Plug-Pipe
22	1	356902	Shaft-Shifter	47	1	468011	Plug-Pipe
23	1	358001	Shifter-Handle	48	1	486067	Seal-Oil
24	1	362007	Spacer-Drum	49	1	494005	Spring
25	1	368004	Worm-R.H.	50	2	494006	Spring
26	1	368006	Worm-L.H.	51	2	530094	Spacer-Brake Disc

4.12

Date

Rev.